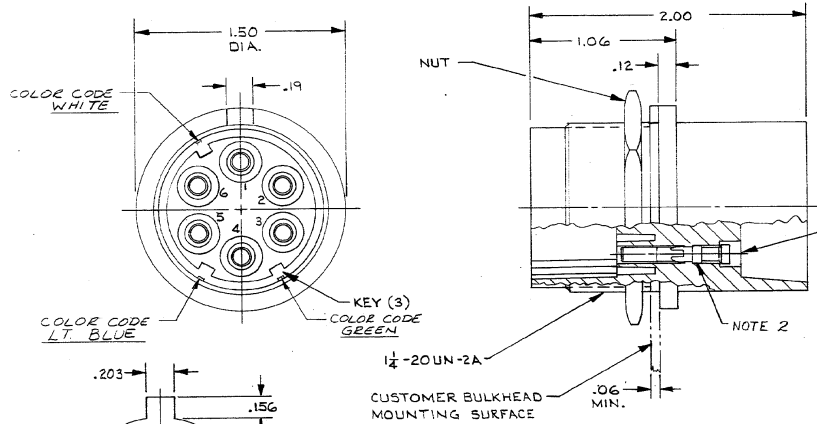


DRAWINGS MADE IN AMERICAN PROJECTION

© 1971 BY AMP INCORPORATED. ALL RIGHTS RESERVED. AMP PRODUCTS COVERED BY PATENTS AND/OR PATENTS PENDING.

ZONE	LTH	DESCRIPTION	DATE	APPROVED
E		REDRAWN WITH REVISIONS	1968 7-24-71	MJE
F		REV. NOTE 2 & POTTING MATERIAL	8-24-71	776
G		REV. NOTE 1 & POTTING MATERIAL	12-17-71	
H		ADDED COLOR CODES & DELETED	4-27-72	
I		REV. NOTES 1 & 2 ADDED NOTES	8-17-72	
J		ADDED -3	8-27-72	
K		ADDED -4, -5, -6	6-30-71	
L		REV. PER E.C.N. 8611	1-31-79	
M		ADDED -7 ECN 8738	11-5-80	
N		OBSOLETE -7	11-5-80	
P		OBSE-3 ECN 8736	8-28-79	T.W.



CUSTOMER TO ATTACH LEADS & PROTECT AGAINST ARC-OVER & BREAKDOWN BY POTTING. SOCKETS TO BE COATED WITH QTV 108 AND INSERTED IN CAVITIES, AFTER CURING FILL BACK END OF RECEPTACLE WITH HYSOL 4210 (REF. AMP # 1-859234-7)

- NOTES:
1. CAVITY TO ACCEPT AMP SOCKETS, TYPE II, #16 GA. RECEPTACLE AND SOCKETS TO BE SHIPPED SEPARATELY. TO REMOVE SOCKETS USE AMP EXTRACTION TOOL #861751-1
 2. TYPE II SOCKETS TO ACCEPT ONE (1) #22 AWG OR #24 AWG STRANDED WIRE, GOLD PLATED PER MIL-G-45204 TYPE II .00050 MIN. THICKNESS.
 3. RECEPTACLE WILL WITHSTAND WITHOUT BREAKDOWN, 27KVDC PIN TO PIN & 27KVDC PIN TO GRD. WHEN MATED WITH 859536-1, 859534-1, & 860267-1
 4. MARKING TO BE WHITE
- TYPE II SOCKETS TO ACCEPT ONLY ONE (1) 16 AWG OR (1) 18 AWG STRANDED WIRE
- TYPE II SOCKETS TO ACCEPT ONE (1) 14 AWG STRANDED WIRE.

AMP P.N.	WIRE SIZE RANGE	HAND TOOL	COLOR CODING
859527-1	20, 22, 24	45099	YES
859527-2	16, 18	45098	YES
859527-3	14	45098	YES
859527-4	20, 22, 24	45099	NO
859527-5	16, 18	45098	NO
859527-6	14	45098	NO
OBSELETE 859527-7 *	16, 18	45098	NO

UNLESS OTHERWISE SPECIFIED: DIMENSIONS ARE IN INCHES TOLERANCES .00 = ± .01 ANGLES = .015		CONTRACT NO.		PARTS LIST	
MATERIAL: MOLDED PLASTIC		DR: M. GARDNER 2/11/71		AMP INCORPORATED CAPTRON DIVISION ELIZABETHTOWN, PENNSYLVANIA	
FINISH: BLACK		CHK: M. GARDNER 2/11/71		RECEPTACLE, FLANGED, H.V. G CONTACT LGH	
NEXT REV: NEXT ASSY: NEXT ASSY: USED ON: APPLICATION:		DESIGN APPD: OTHER APPD:		SIZE: C CODE IDENT NO.: 00779 NUMBER: 859527	
QTY REGD: WT: SCALE: 1/1		PART OR IDENTIFYING NO.:		SHEET: 1/1	

CUSTOMER DRAWING