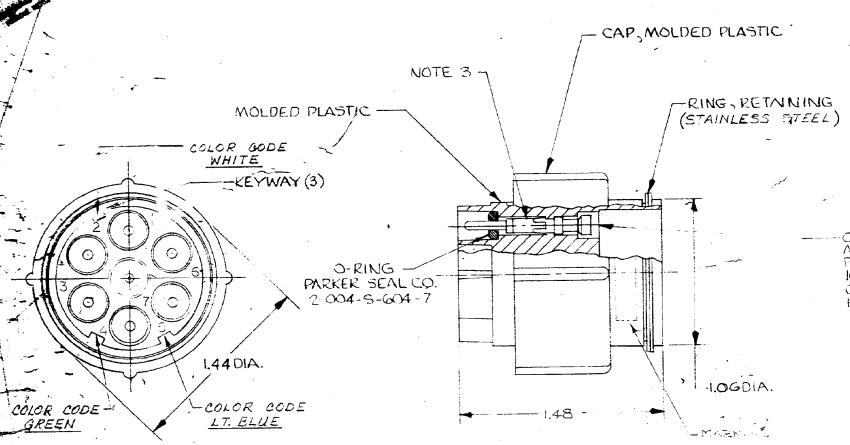


AMERICAN PROJECTION
 AMP INCORPORATED. ALL
 RESERVES. AMP PRODUCTS
 MADE BY LICENSEES AND/OR
 OTHERS PERMITS.

REVISIONS				
ZONE	LTR	DESCRIPTION	DATE	APPROVAL
C		Added - 3 8'-4	11/14	11/14
D		Added - 5	DS 10-1-55	11/14
E		Added - Note 7	DS 3-27-58	11/14
F		Added - 6	DS 10-6-76	11/14
G		Added - 7, 8, 9	DS 6-28-77	11/14
H		Obs 3-4-5 EGNDF 0276	2-83	11/14



CUSTOMER TO ATTACH LEADS & PROTECT AGAINST ARC OVER & BREAKDOWN BY POTTINGS. PINS TO BE COATED WITH RTV JOB AND INSERTED IN CAVITIES, AFTER CURING FILL BACK END OF PLUG WITH HYDOL 4710 (REF AMP # 340710-2)

AMP P/N	WIRE SIZE (AWG)	HAND TWS	COLOR CODING
861648-1	20, 22, 24	45099	YES
861648-2	16, 18	45098	YES
861648-3	20, 22, 24 COAX	100M-69656	YES
861648-4	20, 22, 24 COAX	100M-69656	YES
861648-5	14	45098	YES
861648-6			YES
861648-7	20, 22, 24	45099	NO
861648-8	16, 18	45098	NO
861648-9	14	45098	NO

TYPE II PINS TO ACCEPT ONE (1) 14 AWG STRANDED WIRE.

- NOTE:
- PLUG ASSY WILL WITHSTAND WITHOUT BREAKDOWN 27 KVDC PIN TO PIN & 27 KVDC PIN TO GND. WHEN MATED WITH RECEPTACLE 861647-1.
 - MARKING TO BE WHITE.
 - TO ORDER WITH 9 PIN USE EXTRA 20, 22, 24 AWG.
 - PLUG & PINS TO BE SHIPPED SEPARATELY.
 - TYPE II PINS TO ACCEPT ONE (1) 20 AWG, (1) 22 AWG, OR (1) 24 AWG STRANDED WIRE.
 - TYPE II PINS TO ACCEPT ONE (1) 18 AWG OR (1) 18 AWG STRANDED WIRE.

QTY REQD	QTY REQD	ITEM NO.	QTY REQD	PART OR IDENTIFYING NO.	NOMENCLATURE OR DESCRIPTION	UNIT
-2	-1					
PARTS LIST						
UNLESS OTHERWISE SPECIFIED: DIMENSIONS ARE IN INCHES TOLERANCES .00 = ±.04 ANGLES = .000 = ±.015			CONTRACT NO. <i>18201</i>			
MATERIAL			AMP INCORPORATED CAPTIVE DIVISION ELIZABETHTOWN, PENNSYLVANIA			
FINISH: BLACK			NAME: PLUG ASSY, H.V. 7 PIN EGH			
NEXT ASSY			SIZE CODE IDENT NO. NUMBER C 00779 861648			
NEXT ASSY			SCALE			
NEXT ASSY			UNIT			
NEXT ASSY			INCHES			