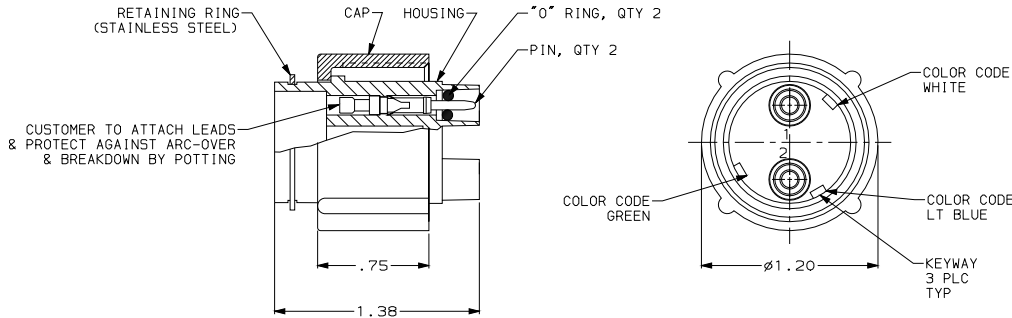


DRAWING MADE IN THIRD ANGLE PROJECTION
 THIS DRAWING IS UNPUBLISHED. RELEASED FOR PUBLICATION .19
 © COPYRIGHT 19 BY AMP INCORPORATED. ALL INTERNATIONAL RIGHTS RESERVED.

REVISIONS									
LOC	DIST	P	F	ZONE	LTR	DESCRIPTION	DATE	APPD	
DF	50				J	REV PER OH14-0120-03	CT	10-26-04	DE



1. PLUG ASS'Y WILL WITHSTAND WITHOUT BREAKDOWN 27 KVDC PIN TO PIN & 27 KVDC PIN TO GROUND WHEN MATED WITH RECEPT.
2. TYPE II PINS TO ACCEPT (1) 20 AWG, (1) 22 AWG, OR (1) 24 AWG STRANDED WIRE.
3. TYPE II PINS TO ACCEPT (1) 16 AWG OR (1) 18 AWG STRANDED WIRE.
4. TYPE II PINS TO ACCEPT (1) 14 AWG STRANDED WIRE.
5. PLUGS AND PINS TO BE PACKAGED SEPARATELY.
6. TO REMOVE PINS USE EXTRACTION TOOL #861751-1.

OBS	REMARKS	HAND TOOL	COLOR CODE	RANGE WIRE SIZE	PART NO.	
	4		45098	NO	14	860261-6
	3		45098	NO	16, 18	860261-5
	2		45099	NO	20, 22, 24	860261-4
OBS	4		45098	YES	14	860261-3
	3		45098	YES	16, 18	860261-2
OBS	2		45099	YES	20, 22, 24	860261-1

DO NOT SCALE PRINT. UNLESS SPECIFIED DIMENSIONS IN mm (INCHES) TOLERANCES ON : 2 PLC DEC ± - 3 PLC DEC ± - ANGLES ± -		DR 07-08-93 THOMPSON		AMP Incorporated Harrisburg, PA 17105-3608	
MATERIAL POLYESTER		CHK 07-23-93 S. GLATFELTER			
FINISH BLACK		APPD 07-23-93 S. GLATFELTER		NAME PLUG KIT, LGH, 2 POSN.	
APPLICATION SPEC -		SIZE C	CAGE CODE 00779	DRAWING NO C=860261	
WEIGHT -		SCALE 2:1		SHEET 1 OF 1	

THIS DRAWING IS A CONTROLLED DOCUMENT FOR AMP INCORPORATED. IT IS SUBJECT TO CHANGE AND THE CONTROLLING ENGINEERING ORGANIZATION SHOULD BE CONTACTED FOR THE LATEST REVISION.

860261

A