

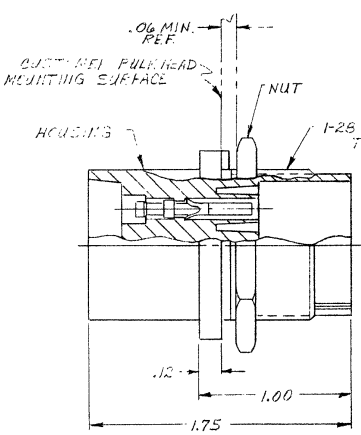
DRAWING MADE IN AMERICAN PROJECTION

© 1975 BY AMP INCORPORATED. ALL RIGHTS RESERVED. AMP PRODUCTS COVERED BY PATENTS AND/OR PATENTS PENDING.

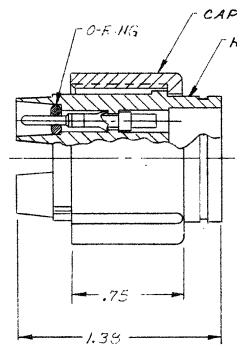
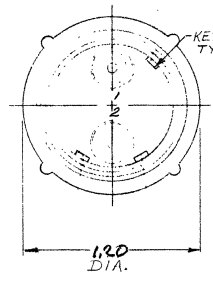
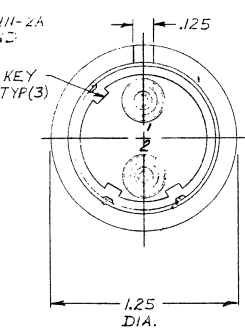
THIS PRODUCT DESIGNED AND BUILT BY AMP INCORPORATED. NO LICENSE TO USE THIS DESIGN IN MANUFACTURE, OR TO USE ANY ISSUED OR PENDING PATENTS WHICH ARE INVOLVED, IS IMPLIED.

Unauthorized copy not to be reproduced or published without written permission of AMP Incorporated.

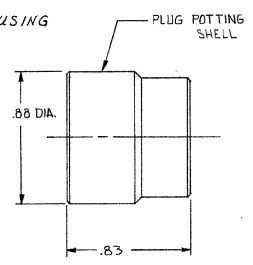
REVISIONS				
ZONE	LTR	DESCRIPTION	DATE	APPROVED
A		ECU 9034	JG 2-22-80	M.A.
B		REV PER DH14-00-00-03	CT 10-04	CT



RECEPTACLE

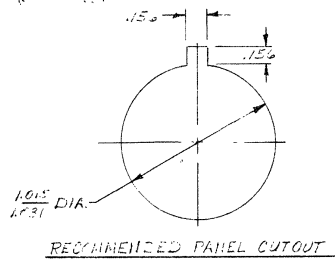


PLUG



AMP P/N	RECEPTACLE	PLUG	WIRE SIZE RANGE	HAND TOOL
863015-1	859529-4	863020-1	20, 22, 24	45099
863015-2	859529-5	863020-2	16, 18	45098
863015-3	859529-6	863020-3	14	45098

- NOTE:
- #16 GA. PINS & SOCKETS GOLD PLATED PER MIL-G-45204, TYPE II, .0005 MIN. THK.
 - TYPE II PINS & SOCKETS TO ACCEPT (1) 20AWG, (2) 22AWG, OR (3) 24AWG STRANDED WIRE
 - TYPE II PINS & SOCKETS TO ACCEPT (1) 14AWG OR (2) 18AWG STRANDED WIRE
 - PINS & SOCKETS SUPPLIED SEPARATELY IN A PLASTIC BAG
 - TYPE II PINS & SOCKETS TO ACCEPT ONE (1) 14AWG STRANDED WIRE.



RECOMMENDED PANEL CUTOUT

QTY. REQD.	QTY. REQD.	ITEM NO.	DWG. SIZE	PART OR IDENTIFYING NO.	NOMENCLATURE OR DESCRIPTION	SYMBOL
-2	-1				PARTS LIST	
CONTRACT NO. DR DICK STONE 3-2-76 CHK ABRD APPD DSGN APPD OTHER APPD					AMP AMP INCORPORATED CAPITRON DIVISION ELIZABETHTOWN, PENNSYLVANIA	
MATERIAL: MOLDED PLASTIC FINISH: BLACK					NAME: 2 PIN PLUG & RECEPTACLE KIT LGH	
UNLESS OTHERWISE SPECIFIED: DIMENSIONS ARE IN INCHES TOLERANCES .00 ± .000 ± . ANGLES ±					SIZE: C CODE IDENT NO.: 00779 NUMBER: 863015	
NEXT ASSY FINAL ASSY NEXT ASSY USED ON QTY REQD APPLICATION					SCALE: 2-1 WT SHEET: 1 of 1	