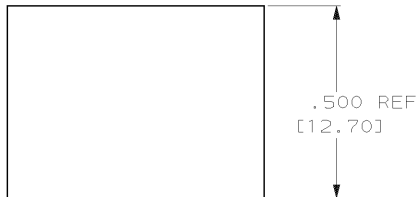
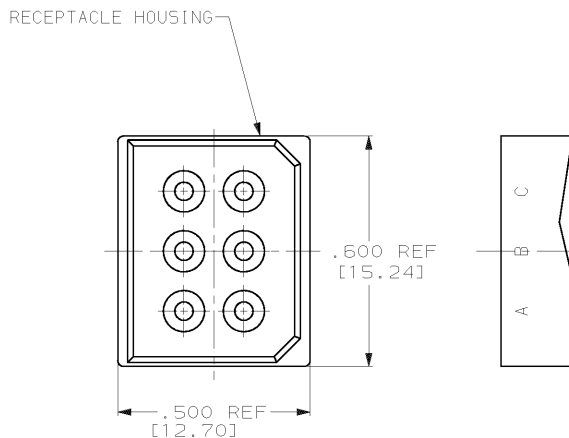
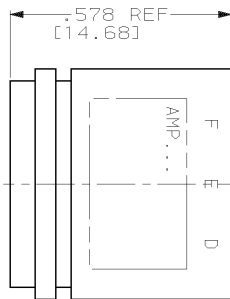
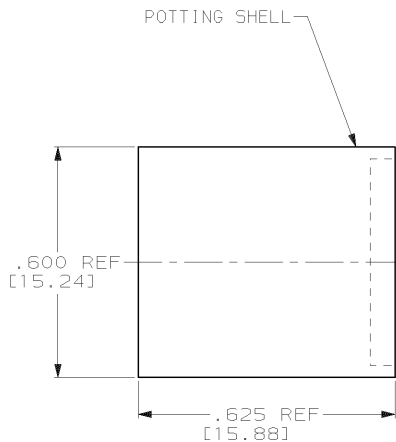
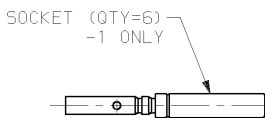


DRAWING MADE IN THIRD ANGLE PROJECTION

THIS DRAWING IS UNPUBLISHED. RELEASED FOR PUBLICATION, 19
 © COPYRIGHT 19 BY AMP INCORPORATED. ALL INTERNATIONAL RIGHTS RESERVED.

LOC	DIST	P	F	ZONE	LTR	REVISIONS	DESCRIPTION	DATE	APPD
DF	SO				B	PER EC 0G3D-0441-01	DBK	04/02	DE



2	867483-2
-	867483-1
REMARKS	PART NO.

- SEE 862091-1 FOR ASSEMBLY INSTRUCTIONS.
- 867483-2 DOES NOT INCLUDE SOCKET CONTACTS OR ASSEMBLY INSTRUCTIONS.
- MARKED PER MIL-STD-130.

THIS DRAWING IS A CONTROLLED DOCUMENT FOR AMP INCORPORATED. IT IS SUBJECT TO CHANGE AND THE CONTROLLING ENGINEERING ORGANIZATION SHOULD BE CONTACTED FOR THE LATEST REVISION.

DO NOT SCALE PRINT. UNLESS SPECIFIED DIMENSIONS IN INCHES [mm]	DR	S-18-93
	CHK	C.C. THOMAS
	APPD	D.EABY
	APPD	S-18-93
TOLERANCES ON:	2 PLG DEC	-
	3 PLG DEC	-
ANGLES	±	-
	±	-
MATERIAL	-	
FINISH	-	
WEIGHT	-	

AMP AMP Incorporated Harrisburg, PA 17105-3608		
NAME RCPT KIT, 6 POSN SUBMINIATURE, LGH		
SIZE	CAGE CODE	DRAWING NO
B	00779	C=867483
SCALE	4:1	SHEET 1 OF 1

AMP 1470-15 REV 3-92
 07-MAY-02 05:07:06 amp16412 /home/amp16412/docred

CUSTOMER DRAWING