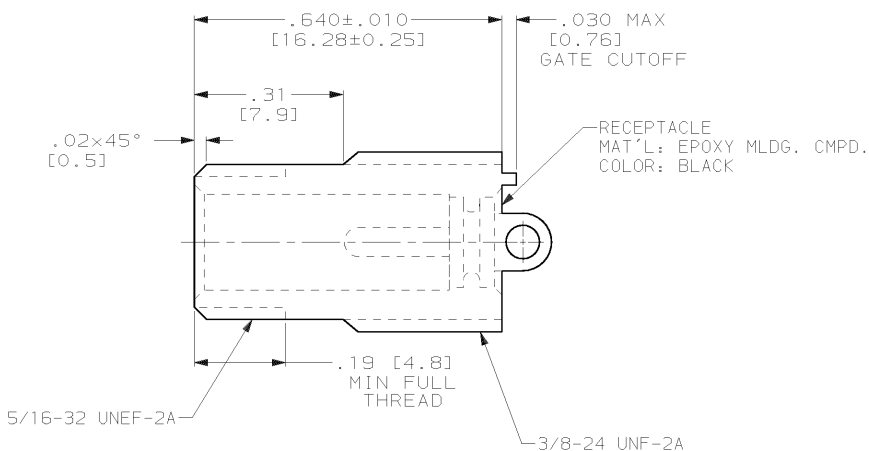
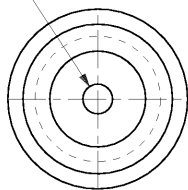


DRAWING MADE IN THIRD ANGLE PROJECTION

THIS DRAWING IS UNPUBLISHED. RELEASED FOR PUBLICATION  
 © COPYRIGHT 19 BY AMP INCORPORATED. ALL INTERNATIONAL RIGHTS RESERVED.

PROD CODE	LOC	DIST	P	F	ZONE	LTR	REVISIONS DESCRIPTION	DATE	APPD
4087	DF	50					0 RELEASED PER NPR 92-176 CT	7-92	SG
							A REV PER 0600-7334-98 TT	0700198	DE
							B REV PER 0600-8083-98 JB	03-99	ML

.062 [1.57] DIA PIN  
 MAT'L: BRASS PER ASTM-B-16  
 FINISH: GOLD PLATED PER MIL-G-45204  
 OVER NICKEL PER QQ-N-290



- RECEPTACLE WILL ACCEPT A LGH-1/2 LEAD WITH A .53 [13.5] MOLDED END LENGTH.

THIS DRAWING IS A CONTROLLED DOCUMENT FOR AMP INCORPORATED. IT IS SUBJECT TO CHANGE AND THE CONTROLLING ENGINEERING ORGANIZATION SHOULD BE CONTACTED FOR THE LATEST REVISION.

448462-1		PART NO	
DO NOT SCALE PRINT. UNLESS SPECIFIED DIMENSIONS IN INCHES (mm) TOLERANCES ON: 1. PLC DEC ± .01 (0.31) 2. PLC DEC ± .005 (0.13) ANGLES ± -		DR 7-1-92 C.C. THOMAS CHK 7-8-92 S. GLATFELTER APPD 7-8-92 S. GLATFELTER APPD 7-8-92 C.C. THOMAS	<b>AMP</b> AMP Incorporated Harrisburg, PA 17105-3608
MATERIAL SEE CALLOUTS		NAME RECEPTACLE, LGH-1/2, SPECIAL	
FINISH SEE CALLOUTS		SIZE B	CAGE CODE 00779
		DRAWING NO C=448462	
		SCALE 5:1	SHEET 1 OF 1

AMP 1470-15 REV 3-92  
 05-MAR-99 08:55:36 amp:27592 /home/amp/27592/edmod

CUSTOMER DRAWING