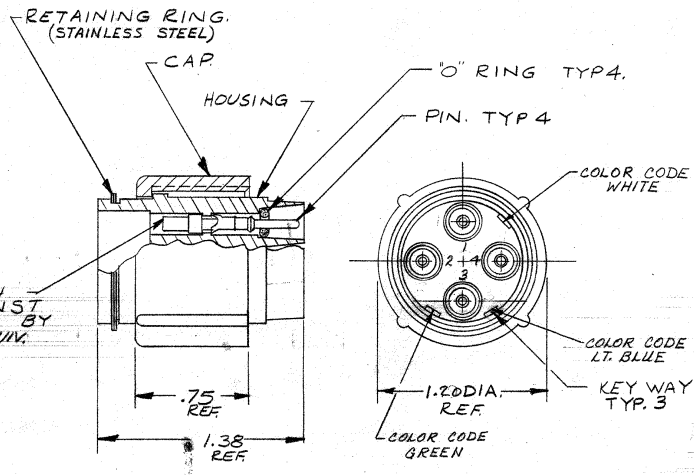


DRAWING MADE IN AMERICAN PROJECTION

©1972 BY AMP INCORPORATED. ALL RIGHTS RESERVED. AMP PRODUCTS COVERED BY PATENTS AND/OR PATENTS PENDING.

THIS PRODUCT DESIGNED AND BUILT BY AMP INCORPORATED. NO LICENSE TO USE THAT DESIGN IN MANUFACTURE, OR TO USE ANY ISSUES OR PATENTS WHICH ARE INVOLVED, IS IMPLIED.

REVISIONS				
ZONE	LTR	DESCRIPTION	DATE	APPROVED
A		1.19 DIA WAS 1.12 RET RING WAS RUBBER; ADDED COLOR CODE TO KEYWAYS	3/14/72	M.J.
B	-2	ADDED NOTE 3 & 4	11/10/74	M.J.
C	-3		2-26-76	M.J.
D	-4, -5, -6		6-30-77	M.J.
E	OBSOLETED	-3, -6	ECN 53615 11-5-88	R.S.
F	REV PER	0414-120-04	CT	10-04 CT



- NOTE:
- MARKING, WHITE.
 - #16 GA. PINS, GOLD PLATED PER MIL-G-45204 TYPE II .00005 THK. MIN.
 - PLUG & PINS SHIPPED SEPARATELY.
- ▷ TYPE II PINS TO ACCEPT (1) 22 AWG, (1) 20 AWG, OR (1) 24 AWG STRANDED WIRE
 - ▷ TYPE II PINS TO ACCEPT (1) 16 AWG, OR 18 AWG STRANDED WIRE
 - ▷ TO REMOVE PINS USE EXTRACTION TOOL NO. 860751-1
 - ▷ TYPE II PINS TO ACCEPT ONE (1) 14 AWG STRANDED WIRE.

AMP #	WIRE SIZE RANGE	HAND TOOL	COLOR CODING
860265-1	20, 22, 24	45099	YES
OBS	-2 16, 18	45098	YES
	-3 14	45098	YES
	-4 20, 22, 24	45099	NO
OBS	-5 16, 18	45098	NO
	860265-6 14	45098	NO

QTY REQD	QTY REGD	ITEM NO.	DWG SIZE	PART OR IDENTIFYING NO.	NOMENCLATURE OR DESCRIPTION	SYMBOL
					PLUG ASS'Y. 4 PIN.	
UNLESS OTHERWISE SPECIFIED: DIMENSIONS ARE IN INCHES TOLERANCES .00 ± .000 ± ANGLES T				CONTRACT NO. BY <i>C. Strain</i> 5-25-72 CHK APPD <i>M. Anderson</i> 3/25/72 APPD DSGN APPD OTHER APPD		
MATERIAL: MOLDED PLASTIC				AMP INCORPORATED CAPITRON DIVISION ELIZABETHTOWN, PENNSYLVANIA NAME: PLUG ASS'Y. 4 PIN. EGH		
FINISH: BLACK.				SIZE CODE IDENT NO. NUMBER C 00779 860265 SCALE NONE WT SHEET 1 OF 1		
NEXT ASSY	FINAL ASSY	NEXT ASSY	USED ON	APPLICATION		

L1371 CUSTOMER DRAWING