

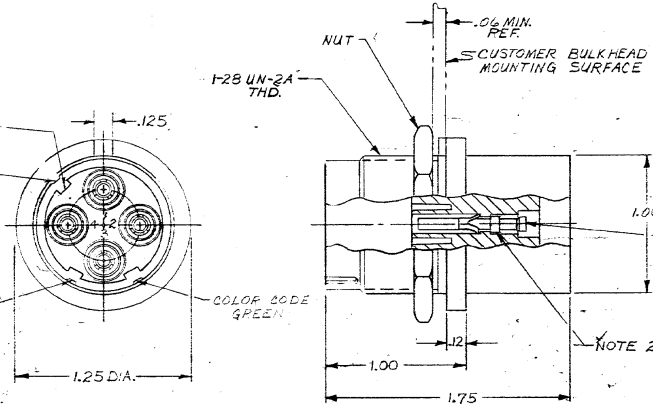
DRAWING MADE IN AMERICAN PROJECTION

© 1977 BY AMP INCORPORATED. ALL RIGHTS RESERVED. AMP PRODUCTS COVERED BY PATENTS AND/OR PATENTS PENDING.

THIS DRAWING IS THE PROPERTY OF AMP INCORPORATED. IT IS TO BE USED ONLY IN CONNECTION WITH THE PARTS LISTED THEREON. IT IS NOT TO BE REPRODUCED, COPIED, OR TRANSMITTED IN ANY FORM OR BY ANY MEANS, ELECTRONIC OR MECHANICAL, INCLUDING PHOTOCOPYING, RECORDING, OR BY ANY INFORMATION STORAGE AND RETRIEVAL SYSTEM.

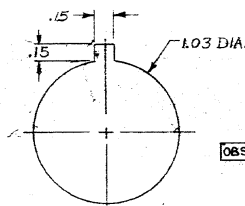
Unpublished copy not to be reproduced for publication without written permission of AMP Incorporated.

REVISIONS				
ZONE	LTR	DESCRIPTION	DATE	APPROVED
E		REV. & REDRAWN WAS 'B' SIZE	7-24-71	JG
F		REV. NOTE 2 & FITTING LATERAL	8-24-71	JG
G		ADD 1/2" GOLD COATED LEADS POSITION OF T.D. 278	5-17-72	JG
H		REV. 1/2" GOLD COATED LEADS	10-10-72	JG
I		ADD 1/2" GOLD COATED LEADS	2-26-73	JG
K		ADD 1/2" GOLD COATED LEADS	6-30-77	JG
L		REV. PER E.C.N. 8667	2-26-78	JG
M		ADD -7	10-6-78	JG
N		OBSOLETE -3	ECN 53615	11-5-86



CUSTOMER TO ATTACH LEADS & PROTECT AGAINST APC-OVER & BREAKDOWN BY PUTTING SOCKETS TO BE COATED WITH 1/2" GOLD WITH 1/2" IN LEADS, AFTER CURING FLAT BACK END OF RECEPTACLE WITH RT 121

- NOTE:
1. CAVITY TO ACCEPT AMP SOCKETS, TYPE II OR I. RECEPTACLE IS LOADED WITH SOCKETS, WHEN SHIPPED TO REMOVE SOCKETS, USE AMP EXTRACTION TOOL.
 2. TYPE II SOCKETS WILL ACCEPT (1) 22 AWG STRANDED WIRE, GOLD PLATED PER MIL-STD-883C METHOD 2000. TYPE I SOCKETS WILL ACCEPT (1) 14 AWG STRANDED WIRE.
 3. RECEPTACLE WILL WITH STAND WITHOUT BREAKDOWN 27 KV DC PIN TO PIN & 27 KV DC PIN TO GRD. WHEN MATED WITH 859526, 859537 OR 859530.
 4. MARKING TO BE WHITE.
- TYPE II SOCKETS WILL ACCEPT (1) 16 AWG OR (1) 18 AWG STRANDED WIRE.
- TYPE I SOCKETS TO ACCEPT ONE (1) 14 AWG STRANDED WIRE.
- SAME AS 859526-2, EXCEPT LESS SOCKETS.



AMP P/N	WIRE SIZE RANGE	HAND TOOL	COLOR CODING
859526-1	20, 22, 24	45099	YES
859526-2	16, 18	45099	YES
859526-3	14	45099	YES
859526-4	20, 22, 24	45099	NO
859526-5	16, 18	45099	NO
859526-6	14	45099	NO
859526-7			YES

OBSOLETE

ITEM NO.	QTY	SIZE	PART OR IDENTIFYING NO.	NOMENCLATURE OR DESCRIPTION	UNIT
PARTS LIST					
CONTRACT NO.			AMP INCORPORATED		
DR. L. GEIB 71			CAPITON DIVISION		
CHK.			ELIZABETHTOWN, PENNSYLVANIA		
APPR. M. GARDNER 2-15-71			NAME		
APPRO.			4 CAVITY FLANGED RECEPTACLE		
DESIGN APPD.			H.V.		
OTHER APPD.			LGF		
SIZE			CODE, IDENT. NO.		
C			00770		
NUMBER			859526		
MATERIAL			FINISH		
MOLDED PLASTIC			BLACK		
NEXT ASSEMBLY			NEXT ASSEMBLY		
QTY REQD.			APPLICATOR		