

4

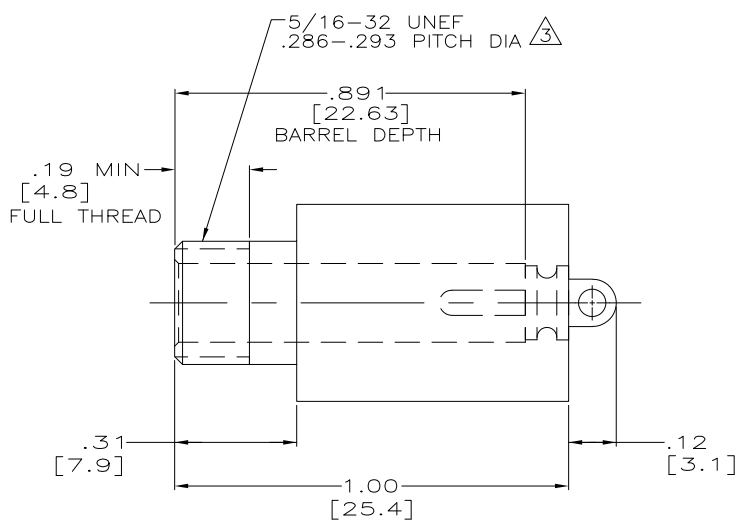
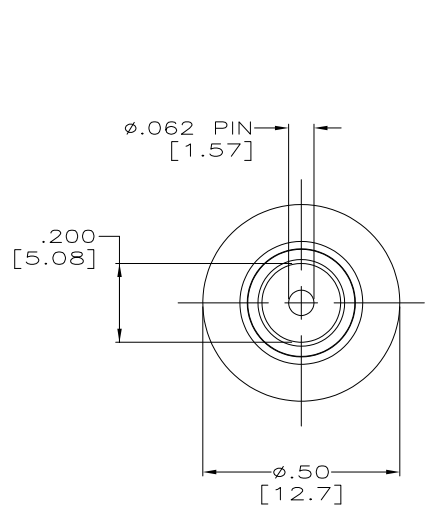
3

2

1

THIS DRAWING IS UNPUBLISHED. RELEASED FOR PUBLICATION - N/A -
 © COPYRIGHT N/A BY TYCO ELECTRONICS CORPORATION. ALL RIGHTS RESERVED.

LOC	DIST	REVISIONS			
P	LTR	DESCRIPTION	DATE	DWN	APVD
DF	SO	M	REV PER ECO-08-011735	05JUN08	PY DE



	TIN 150μ MIN	BLACK	5-858855-1
	GOLD 50μ MIN	BLACK	858855-9
OBSOLETE	GOLD 30μ MIN	GREEN	858855-4
OBSOLETE	TIN-LEAD 150μ MIN	GREEN	858855-3
	GOLD 30μ MIN	BLACK	858855-2
	TIN-LEAD 150μ MIN	BLACK	858855-1
	PIN FINISH	MOLD CMPD. COLOR	PART NO.

1. MARKED PER MIL-STD-130.
 2. RECEPTACLE TO MATE WITH AMP LGH-1/2L LEAD ASSY.
- △ PER FEDERAL STD H-28, 3 WIRE METHOD. DIMENSION OVER WIRES TO BE .307-.318 [7.80-8.08].

THIS DRAWING IS A CONTROLLED DOCUMENT.

DIMENSIONS: INCHES	TOLERANCES UNLESS OTHERWISE SPECIFIED:	DWN C.C.THOMAS 15-JUL-93	Tyco Electronics Corporation Harrisburg, Pa 17105-3608			
	0 PLC ± -	CHK D.EABY 21-JUL-93	RECEPTACLE FOR ENCAPSULATED UNIT LGH-1/2L			
	1 PLC ± -	APVD D.EABY 21-JUL-93				
	2 PLC ± .02[0.5]	NAME				
	3 PLC ± .008[0.13]	PRODUCT SPEC				
4 PLC ± -	APPLICATION SPEC	SIZE	CAGE CODE	DRAWING NO	RESTRICTED TO	
ANGLES ± -	FINISH	WEIGHT	A3	00779	©=858855	-
MATERIAL COLDR- BLACK		CUSTOMER DRAWING	SCALE 4:1	SHEET 1 OF 1	REV M	