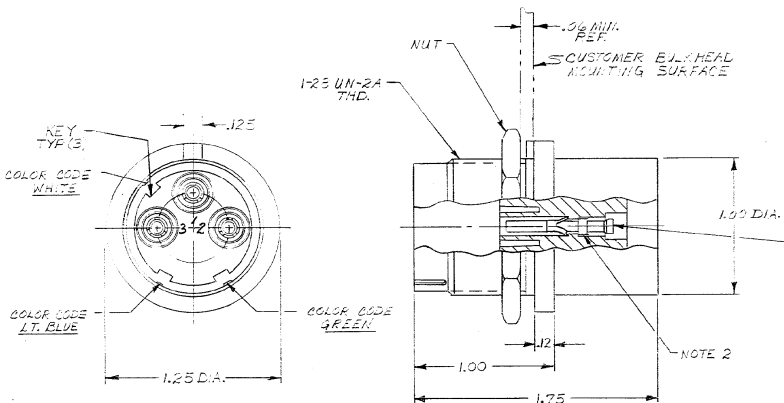


DRAWING MADE IN AMERICAN PROJECTION

© 1971 BY AMP INCORPORATED. ALL RIGHTS RESERVED. AMP PRODUCTS COVERED BY PATENTS AND/OR PATENTS PENDING.

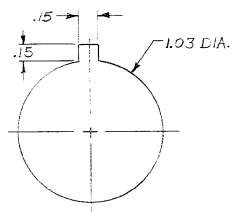
THIS PRODUCT DESIGNED AND BUILT BY AMP INCORPORATED IS LICENSE TO USE THIS DESIGN OR REPRODUCTION, OR TO USE ANY DESIGN OR FORMING PLATERS, UNDER THE PATENT, IS FORBIDDEN.

REVISIONS				
ZONE	LTR	DESCRIPTION	DATE	APPROVED
F		REVISED DRAWING WAS B SIDE	7-24-71	[Signature]
F		REV. NOTE 2 ADDED TO DRAWING	8-24-71	[Signature]
G		ADDED 350ST GOLD PLATED PORTION OF THE P.C.	8-17-72	[Signature]
H		ADDED 19	1-15-73	[Signature]
J		ADDED -3	2-26-76	[Signature]
K		ADDED -4, -5, -6	6-29-77	[Signature]
L		REVISED NOTE 1	1-14-78	[Signature]
M		LGH WAS EGH, ECN 8602	1-14-79	[Signature]
N		OBSOLETED -3	11-5-84	[Signature]



CUSTOMER TO ATTACH LEADS & PROTECT AGAINST ARC-OVER & BREAKDOWN BY HOTTING. SOCKETS TO BE COATED WITH RTI 891 AND INSERTED IN CAVITIES. AFTER CURING, FILL BACK END OF RECEPTACLE WITH RTI 21

- NOTE:
1. CAVITY TO ACCEPT AMP SOCKETS, TYPE II 14 GA. TO REMOVE SOCKETS, USE AMP EXTRACTION TOOL 861751-1
  2. TYPE II SOCKETS WILL ACCEPT (1) 22 AWG, (1) 20 AWG, OR (1) 24 AWG STRANDED WIRE, GOLD PLATED PER MIL-G-45204 TYPE II .000050 MIN THICKNESS.
  3. RECEPTACLE WILL WITH STAND WITHOUT BREAKDOWN 27KV D.C. PIN TO PIN & 27KV D.C. PIN TO GRD. WHEN MATED WITH 859533, 859535, OR 859531.
  4. MARKING TO BE WHITE
- TYPE II SOCKETS TO ACCEPT (1) 14 AWG OR (1) 18 AWG STRANDED WIRE
- TYPE II SOCKETS TO ACCEPT ONE (1) 14 AWG STRANDED WIRE.



CUSTOMER MOUNTING

AMP P/N	WIRE SIZE RANGE	HAND TOOL	COLOR CODING
859528-1	20,22,24	45095	YES
859528-2	16,18	45095	YES
859528-3	14	45098	YES
859528-4	20,22,24	45099	NO
859528-5	16,18	45098	NO
859528-6	14	45098	NO

QTY REQD	QTY REQD	ITEM NO.	DWG SIZE	PART OR IDENTIFYING NO.	NOMENCLATURE OR DESCRIPTION	SYMBOL
-2	-1					

CONTRACT NO.		PARTS LIST	
DR	L. GEIS 3-9-71	AMP INCORPORATED CAPTRON DIVISION ELIZABETHTOWN, PENNSYLVANIA	
CHK		NAME 3 CAVITY FLANGED RECEPTACLE H.V.	
APPD	M. GARDNER 3-9-71	LGH	
APPD		SIZE	CODE IDENT NO. NUMBER
DSGN APPD		C	00779 859528
OTHER APPD		SCALE	2-1 WT SHEET 1/1