

4

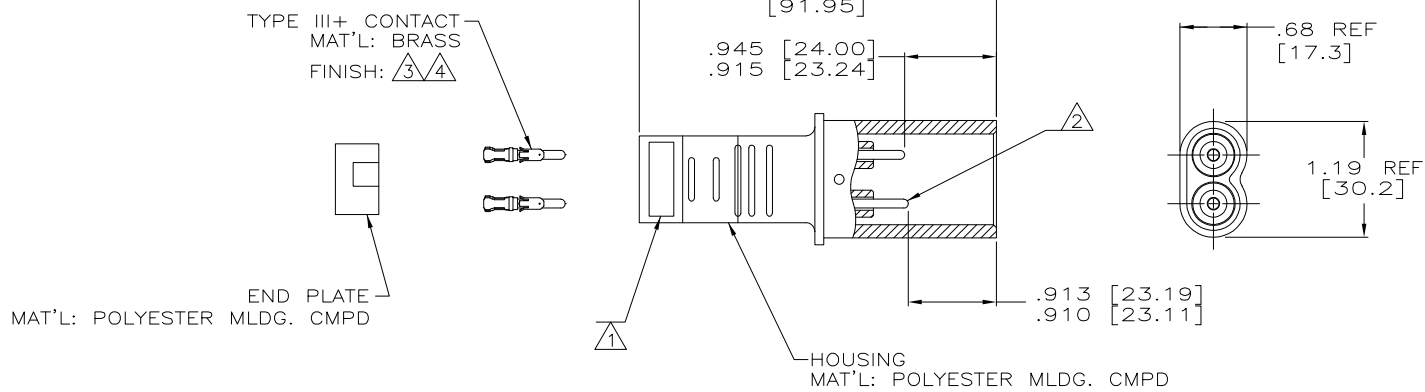
3

2

1

THIS DRAWING IS UNPUBLISHED. RELEASED FOR PUBLICATION - N/A -
 © COPYRIGHT N/A BY TYCO ELECTRONICS CORPORATION. ALL RIGHTS RESERVED.

LOC	DIST	REVISIONS			
P	LTR	DESCRIPTION	DATE	DWN	APVD
G		REV PER OH14-0191-05	05-05	AA	DE



- $\triangle 1$ AMP PART NO., F.S.C.M. NO. & DATE CODE MARKED IN THIS AREA PER MIL-STD-130.
- $\triangle 2$ GROUND PIN REF.
- $\triangle 3$ PLATED 93/7 TIN-LEAD OR TIN PER ASTM-B-545 OVER NICKEL PER AMS-QQ-N-290.
- $\triangle 4$ PLATED TIN PER ASTM-B-545 OVER NICKEL PER AMS-QQ-N-290.

	$\triangle 4$	90067-2	.200 [5.08]	18-16 AWG	5-862528-1
OBSOLETE	$\triangle 5$	90067-2	.250 [6.35]	22-20 AWG	862528-6
OBSOLETE	$\triangle 3$	90067-2	.250 [6.35]	18-16 AWG	862528-5
OBSOLETE	$\triangle 5$	90067-2	.234 [5.94]	22-20 AWG	862528-4
OBSOLETE	$\triangle 3$	90067-2	.234 [5.94]	18-16 AWG	862528-3
	$\triangle 5$	90067-2	.200 [5.08]	22-20 AWG	862528-2
	$\triangle 3$	90067-2	.200 [5.08]	18-16 AWG	862528-1
		FINISH	HAND TOOL NO.	INSULATION DIA. (MAX)	WIRE RANGE FOR PINS
					PART NO.

THIS DRAWING IS A CONTROLLED DOCUMENT.

DIMENSIONS: INCHES	TOLERANCES UNLESS OTHERWISE SPECIFIED:	DWN C.C.THOMAS 18-AUG-92	Tyco Electronics Corporation Harrisburg, Pa 17105-3608
0 PLC ± -	1 PLC ± -	CHK S.GLATFELTER 18-AUG-92	
2 PLC ± -	3 PLC ± -	APVD S.GLATFELTER 18-AUG-92	NAME
4 PLC ± -	ANGLES ± -		2 CAVITY PLUG KIT
MATERIAL SEE CALLOUTS	FINISH SEE CALLOUTS	PRODUCT SPEC	LGH
		APPLICATION SPEC	
		WEIGHT	SIZE CAGE CODE DRAWING NO
			A3 00779 C-862528
		CUSTOMER DRAWING	RESTRICTED TO
			SCALE 1:1 SHEET 1 OF 1 REV G

AMP 1470-19 REV 31MAR2000