

4

3

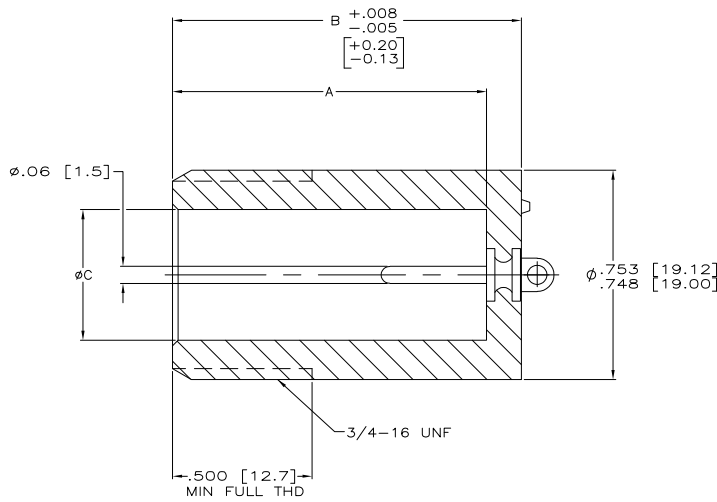
2

1

THIS DRAWING IS UNPUBLISHED.		RELEASED FOR PUBLICATION		- N/A -	
COPYRIGHT	N/A	BY TYCO ELECTRONICS CORPORATION.		ALL RIGHTS RESERVED.	
PART NO.	DIM A	DIM B	DIM C	TERMINAL PLATING	SIZE
5849587-9	1.812 [46.0]	1.937 [49.2]	.312 [7.9]	△	LGH-3
1-5849587-1	1.437 [36.5]	1.562 [39.7]	.468 [11.9]	△	LGH-2
1-5849587-9	1.125 [28.6]	1.250 [31.7]	.312 [7.9]	△	LGH-3

LOC	DIST	REVISIONS					
DF	SO	P	LTR	DESCRIPTION	DATE	MIN	APVD
		0		REV PER 0H14-0191-05	05-05	AA	DE

- △ TIN PLATED .0001 [0.0025] MIN THK PER ASTM-B-545.
- 2. LGH-2 RECEPTACLE TO MATE WITH AMP LGH-2 LEAD ASSEMBLY.
- 3. LGH-3 RECEPTACLE TO MATE WITH AMP LGH-3 LEAD ASSEMBLY.



THIS DRAWING IS A CONTROLLED DOCUMENT.		DIM A.M. ANDERSON 18-MAY-05 OK D. EASY 18-MAY-05 APPD. 18-MAY-05	<b>Tyco Electronics</b> Tyco Electronics Corporation Harrisburg, Pa 17105-3608
DIMENSIONS: INCHES	DIMENSIONS UNLESS OTHERWISE SPECIFIED: 0 PLC ± .0005 1 PLC ± .0010 2 PLC ± .0015 3 PLC ± .0020 4 PLC ± .0030 ANGLES ± .0005	NAME MOLDDED RECEPTACLE LGH-2, LGH-3	RESTRICTED TO —
MATERIAL — FINISH —	APPLICATION SPEC — WEIGHT —	SIZE CASE CODE DRAWING NO. A2 00779 C-5849587	SCALE 4:1 SHEET 1 OF 1 REV 0
CUSTOMER DRAWING			

AMP 1471-9 REV 31MM2000

5849587

A