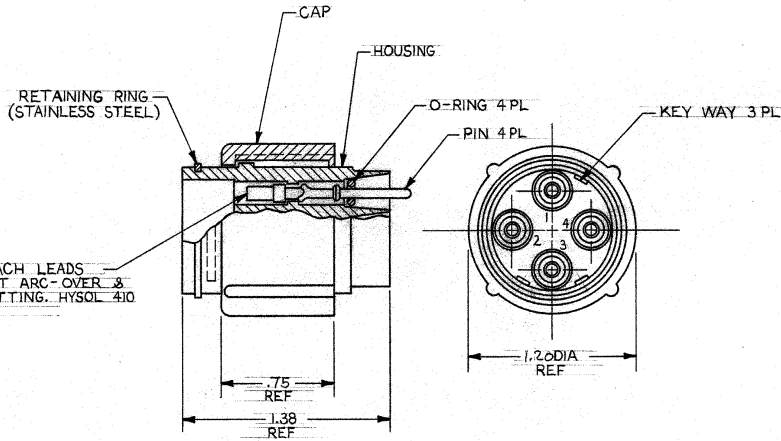


DRAWING MADE IN THIRD ANGLE PROJECTION

THIS DRAWING IS UNPUBLISHED. RELEASED FOR PUBLICATION, 19
 © COPYRIGHT 19 BY AMP INCORPORATED, HARRISBURG, PA. ALL INTERNATIONAL RIGHTS RESERVED. AMP PRODUCTS MAY BE COVERED BY U.S. AND FOREIGN PATENTS AND/OR PATENTS PENDING.

LOC L 37 DIST

REVISIONS					
P	F	ZONE	LTR	DESCRIPTION	DATE APPROVED
0	✓			RELEASE	08/11/84 MJA
		A		REV PER 0419-120-03	CT 10-84 CT



CUSTOMER TO ATTACH LEADS & PROTECT AGAINST ARC-OVER & BREAK DOWN BY POTTING, HYSOL 410 OR EQUIV.

1. MARK PER MIL-STD-130.
2. #16 GA PINS GOLD PLATED PER MIL-G-45204 TYPE II .00005 THK MIN.
3. PLUG & PINS SHIPPED SEPARATELY.
4. TO REMOVE PINS USE EXTRACTION TOOL NO. 860751-1.

WIRE SIZE RANGE	HAND TOOL	AMP P/N
16, 18	#5098	868374-1

UNLESS OTHERWISE SPECIFIED DIMENSIONS ARE IN INCHES. TOLERANCES ON: DECIMALS ± .005 ANGLES ± .01		CONTRACT NO DR 12-14-84 CHK		AMP INCORPORATED Harrisburg, Pa. 17105	
MATERIAL	APPD <i>M. Gardner</i> 12-14-84 APPD	NAME PLUG ASSY 4 PIN		DRAWING NO 868374	
FINISH	DSGN APPD OTHER APPD	SIZE C	FSCM NO 00779	SCALE NTS	
			SHEET		

CUSTOMER DRAWING