

4

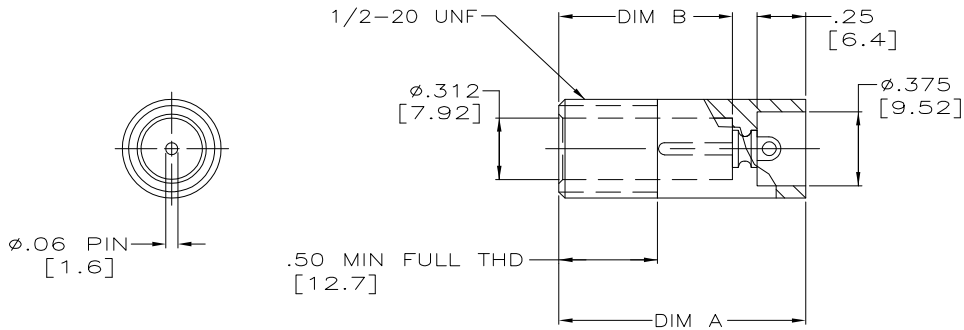
3

2

1

THIS DRAWING IS UNPUBLISHED. RELEASED FOR PUBLICATION - .N/A .
 © COPYRIGHT N/A BY TYCO ELECTRONICS CORPORATION. ALL RIGHTS RESERVED.

LOC	DIST	REVISIONS			
P	LTR	DESCRIPTION	DATE	DWN	APVD
DF	SO	E	REV PER 0H14-0191-05	05-05	AA DE



	.88 [22.4]	1.25 [31.8]	TIN PLATED	5-849610-3
OBSOLETE	.88 [22.4]	1.25 [31.8]	GOLD PLATED	849610-4
	.88 [22.4]	1.25 [31.8]	TIN-LEAD PLATED	849610-3
OBSOLETE	1.12 [28.4]	1.50 [38.1]	GOLD PLATED	849610-2
OBSOLETE	1.12 [28.4]	1.50 [38.1]	TIN-LEAD PLATED	849610-1
	DIM B	DIM A	CONTACT PLATING	PART NO.

THIS DRAWING IS A CONTROLLED DOCUMENT.		DWN C.C.THOMAS 05-MAY-97	Tyco Electronics Corporation Harrisburg, Pa 17105-3608	
DIMENSIONS: INCHES		CHK S.GLATFELTER 16-JUL-97	NAME RECEPTACLE LGH-1 WITH RECESSED TERMINAL	
TOLERANCES UNLESS OTHERWISE SPECIFIED: 0 PLC ± - 1 PLC ± - 2 PLC ± .02[0.5] 3 PLC ± .005[0.13] 4 PLC ± - ANGLES ± -		APVD S.GLATFELTER 16-JUL-97	RESTRICTED TO	
MATERIAL MOLDED GLASS EPOXY COLDR: BLACK		FINISH	SIZE A3	CAGE CODE 00779
		PRODUCT SPEC	DRAWING NO 849610	REV E
		APPLICATION SPEC	SCALE 2:1	
		WEIGHT	SHEET 1 OF 1	
		CUSTOMER DRAWING		