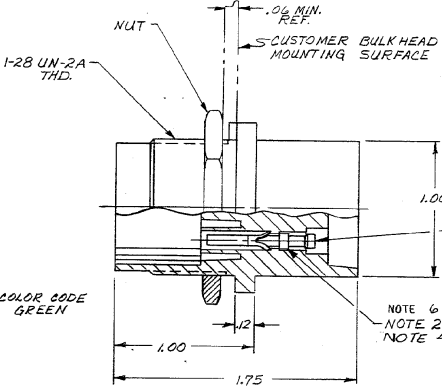
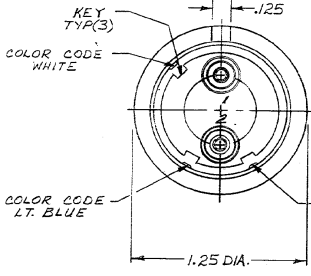


DRAWING MADE IN AMERICAN PROJECTION

© 1977 BY AMP INCORPORATED. ALL RIGHTS RESERVED. AMP PRODUCTS COVERED BY PATENTS AND/OR PATENTS PENDING.

Published under the name of AMP

ZONE	LTR	DESCRIPTION	DATE	APPROVED
E		REV & REDRAWN NRS 'B' SIZE	7-24-71	MJG
F		REV. NOTE 2 & ADDED POTTING MATERIAL	8-24-71	MJG
G		ADDED P/N -2 & NOTE # 5	4-20-72	MJG
H		ADDED COLOR CODE & DELETED PORTION OF TID	5-18-72	MJG
J		TREN NOTES	1-22-74	MJG
K		ADDED -3	2-26-76	MAJ
L		ADDED -4, -5, -6	6-23-77	MAJ
M		REV PER ECN 8597	AG 1-22-79	MAJ
N		OBSOLETE -3 & -6 ECN 83615	11-5-84	MAJ
P		REACTIVATE -6 PER ECN DFOZ 07	4/16/87	MAJ



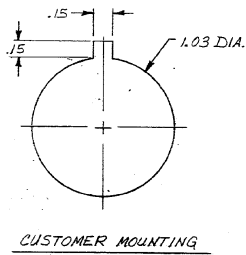
CUSTOMER TO ATTACH LEADS & PROTECT AGAINST ARC-OVER & BREAKDOWN BY POTTING. SOCKETS TO BE COATED WITH RTV 108 AND INSERTED IN CAVITIES. AFTER CURING, FILL BACK END OF RECEPTACLE WITH HTSOL 4210 PER AMP SPEC. 1-859234-7

NOTE 6 FOR P/N -3, -6
NOTE 2 FOR P/N -1, -4
NOTE 4 FOR P/N -2, -5

- NOTE:
- CAVITY TO ACCEPT AMP SOCKETS, TYPE II 16 GA. SOCKETS, SUPPLIED SEPARATELY IN A PLASTIC BAG.
 - TYPE II SOCKETS WILL ACCEPT (1) 22 AWG, (1) 20 AWG, OR (1) 24 AWG STRANDED WIRE. GOLD PLATED PER MIL-G-45204 TYPE II .00050 MIN. THICKNESS. TIP
 - RECEPTACLE WILL WITHSTAND WITHOUT BREAKDOWN 27 KV DC PIN TO PIN & 27 KV DC PIN TO BRD. WHEN MATED WITH 859517, 859537, 859530, 859531 & 859532
 - TYPE II SOCKETS WILL ACCEPT (1) 14 AWG, OR (1) 18 AWG STRANDED WIRE.
 - TO REMOVE SOCKETS USE EXTRACTION TOOL & SLITS-1; TYPE II SOCKETS TO ACCEPT ONE (1) 14 AWG STRANDED WIRE.

PART NO	WIRE SIZE SRT WILL ACCEPT	HAND TOOL	COLOR CODING
859529-1	24, 22, 20 AWG	45099	YES
859529-2	16, 18 AWG	45098	YES
859529-3	14 AWG	45098	YES
859529-4	20, 22, 24	45099	NO
859529-5	16, 18	45098	NO
859529-6	14	45098	NO

OBSOLETE



ITEM NO.	DWG SIZE	PART OR IDENTIFYING NO.	NOMENCLATURE OR DESCRIPTION	SYMBOL
PARTS LIST				
CONTRACT NO.		AMP INCORPORATED CAPTRON DIVISION ELIZABETHTOWN, PENNSYLVANIA		
DR	L. GEIB 2-15-71	NAME		
CHK		2 CAVITY FLANGED RECEPTACLE H. V.		
APPD	M. GARDNER 2-15-71	LGH		
DSGN APPD		SIZE	CODE IDENT NO.	NUMBER
OTHER APPD		C	00779	859529
NEXT ASSY		NEXT ASSY		USED ON
QTY REQD		APPLICATION		

UNLESS OTHERWISE SPECIFIED:
DIMENSIONS ARE IN INCHES
TOLERANCES
.00 = ±.004 ANGLES = T
.000 = ±.015

MATERIAL:
MOLDED PLASTIC

FINISH:
BLACK