

4

3

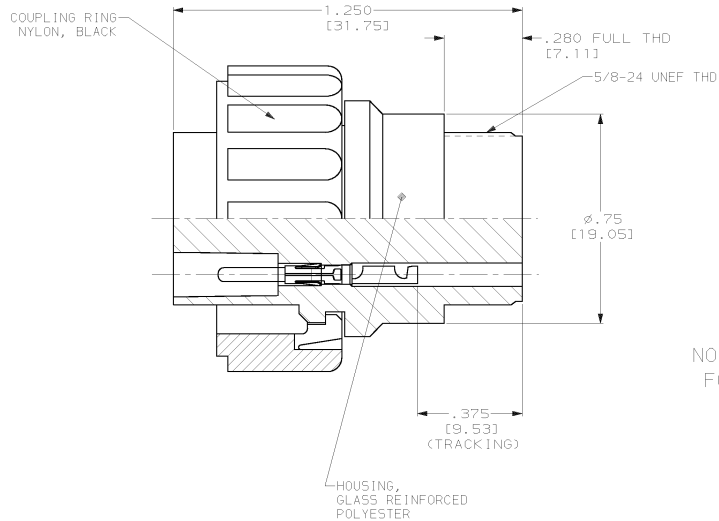
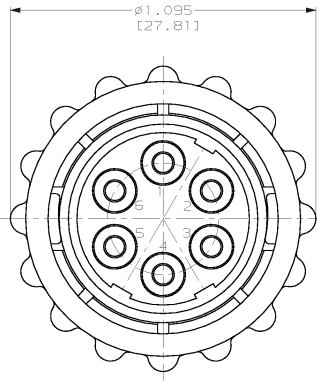
2

1

THIS DRAWING IS UNPUBLISHED. RELEASED FOR PUBLICATION
 © COPYRIGHT 19 BY AMP INCORPORATED. ALL RIGHTS RESERVED.

REV. NO.		REVISIONS			
DF	50	REV. NO.	DESCRIPTION	DATE	BY
		B	REV PER 0600-7769-98	10-98	TT DE
		C	REV PER 0630-0214-01	01/02	DBK DE

- 1. 6 PINS, TIN PLATED .00015 MIN. THK. PART NUMBER 203816-5 (STRIP) OR 203816-6 (LOOSE PIECE). PURCHASED SEPARATELY NOT SUPPLIED WITH PLUG KIT.
- 2. RECOMMENDED WIRE 20 - 24 AWG TEFLON COVERED WIRE .065 DIAMETER MAX (10 KVDC). GORE: F01A050, F01A060 (SUPPLIED BY CUSTOMER).
- 3. BACK END OF CONNECTOR SHOULD BE POTTED OR PROTECTED AGAINST ARC-OVER OR BREAKDOWN WHEN OPERATING ABOVE 5KVDC.



PIN TYPE (6) Δ
 NOT SUPPLIED WITH PLUG KIT
 FOR WIRE RANGE 20-24 AWG

<small>NOT RECOMMENDED FOR USE IN HIGH VOLTAGE OR HIGH CURRENT APPLICATIONS UNLESS SPECIFICALLY DESIGNED FOR SUCH USE.</small>		J. THOMPSON 08-24-98 C. SHELLY 08-25-98 C. SHELLY 08-25-98	AMP AMP Incorporated Harrisburg, PA 17105-3608
OTHERS (REV) (1) (REV)	DIMENSIONS SPECIFIED:	APPLICATION SPEC:	6 POSITION PLUG KIT CPC STYLE LGH
D.P.L.C. #* D.P.L.C. #.0310.763 D.P.L.C. #.0150.393 H.P.L.C. #* PAGES: #*	WEIGHT: - CUSTOMER DRAWING	SCALE: 4:1 SHEET: 1 OF 1 REV: C	SIZE: A2 CASE CODE: 00779 DRAWING NO: C-867534

AMP 1471-9 REV 10/93
 20-OCT-98 10:28:00 amp16412/home/amp16412/edmod

B67534
 B