

4

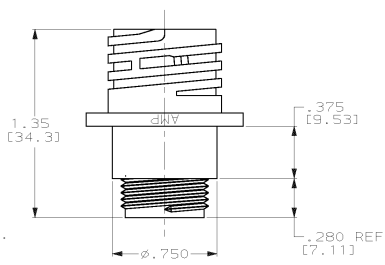
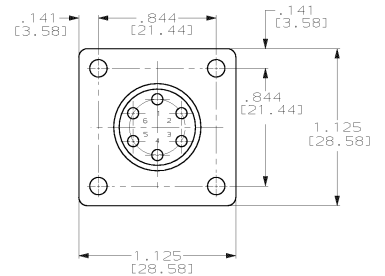
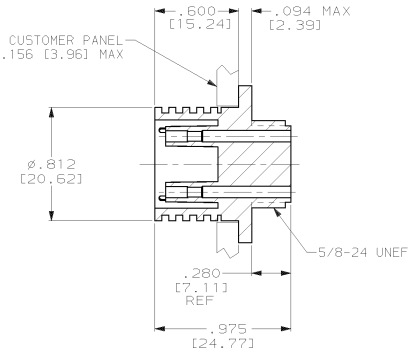
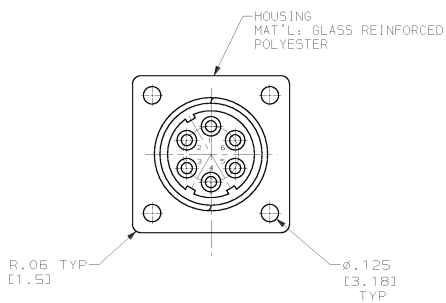
3

2

1

THIS DRAWING IS UNPUBLISHED. RELEASED FOR PUBLICATION  
 © COPYRIGHT 19 BY AMP INCORPORATED. ALL RIGHTS RESERVED.

REV	DF	LIST	REV PER	DESCRIPTION	DATE	BY	APP'D
	DF	50					
			C	REV PER 0630-0115-02	4-02	CT	DE



SOCKET (6) NOT SUPPLIED WITH RECEPTACLE KIT FOR WIRE RANGE 20-24 AWG

- 1. 6 SOCKETS, TIN PLATED .00015 MIN. THK. PART NUMBER 203802-6 (LOOSE PIECE). PURCHASED SEPARATELY NOT SUPPLIED WITH RECEPTACLE KIT.
- 2. RECOMMENDED WIRE 20 - 24 AWG TEFLON COVERED WIRE .065 [1.65] DIAMETER MAX (10 KVDC RATING). GORE; F01A050, F01A060 (SUPPLIED BY CUSTOMER).
- 3. BACK END OF CONNECTOR SHOULD BE POTTED OR PROTECTED AGAINST ARC-OVER OR BREAKDOWN WHEN OPERATING ABOVE 5 KVDC.

FIG II (867547-2 ONLY)  
 ALL OTHER DIMENSIONS SAME AS -1

OBsolete	SEE FIG I	867535-2
	SEE FIG I	867535-1
REMARKS	PART NUMBER	

<small>THIS DRAWING IS UNPUBLISHED FOR INFORMATION. ANALYSIS SHALL BE LIMITED TO THE LATEST VERSION.</small>		C. C. THOMAS 10-21-98 D. EADY 10/29/98	<b>AMP</b> AMP Incorporated Harrisburg, PA 17105-3608
OTHER(S) INCHES (mm)	DIMENSIONS OF PARTS STRENGTH SPECIFIED	D. EADY 10/29/98 D. EADY 10/29/98	<b>RECEPTACLE KIT, 6 POSITION, LGH</b>
	0 PLG -- 1 PLG -- 2 PLG -- 3 PLG -- 4 PLG -- 5 PLG -- 6 PLG --	APPLICATION SPEC WEIGHT CUSTOMER DRAWING	SCALE 2:1 SHEET 1 OF 1 REV C

867535-1  
 B

A