

4

3

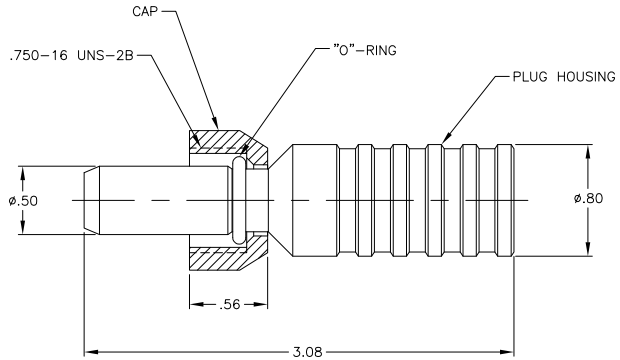
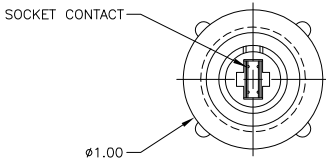
2

1

THIS DRAWING IS UNPUBLISHED. RELEASED FOR PUBLICATION
 © COPYRIGHT BY TYCO ELECTRONICS CORPORATION. ALL RIGHTS RESERVED.

LOC	DIST	REVISIONS					
DF	SO	P	LTR	DESCRIPTION	DATE	MIN	APPRO
		G		REV PER 0H14-0191-05	05-05	AA	DE

- 1 SOCKET CONTACT TIN PLATED.
- 2. USE EXTRACTION TOOL #863558-1. (NOT SUPPLIED)
- 3 SOCKET CONTACT TIN-LEAD PLATED.



PRELIMINARY-- NOT RELEASED FOR PRODUCTION	90145-2	2-66740-1	16 AWG	5-863103-3
	90145-1	2-66740-1	12-14 AWG	5-863103-2
	90140-1	2-66741-1	10 AWG	5-863103-1
	90145-2	66740-8	16 AWG	863103-3
	90145-1	66740-8	12-14 AWG	863103-2
	90140-1	66741-8	10 AWG	863103-1
	DIE INSERT NO'S HAND TOOL 69770-1 OR PNEUMATIC TOOL 69365	SOCKET NO.	WIRE SIZE RANGE	PART NUMBER

THIS DRAWING IS A CONTROLLED DOCUMENT.		10-12-04	Tyco Electronics Corporation	
C.C. THOMAS		10-12-04	Harrisburg, Pa 17105-3608	
D. EARY		10-12-04	CSL PLUG ASSY, LGH	
D. EARY		10-12-04	NAME	
PRODUCT SPEC		APPLICATION SPEC		
MATERIAL		SIZE		RESTRICTED TO
FINISH		A2 00779 C-863103		
		CUSTOMER DRAWING		SCALE 2:1 SHEET 1 OF 1 REV G