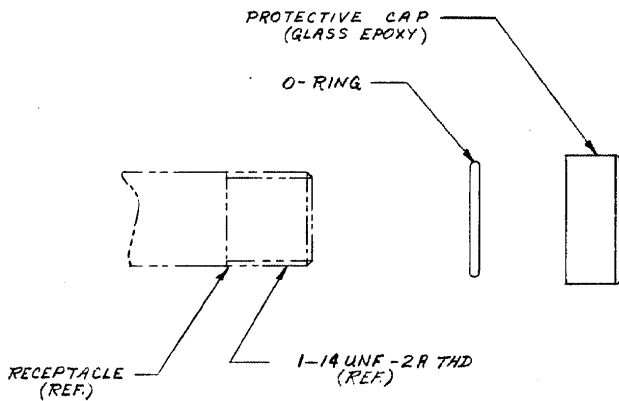


DRAWING MADE IN AMERICAN PROJECTION
 ©1969 BY AMP INCORPORATED. ALL RIGHTS RESERVED. AMP PRODUCTS COVERED BY PATENTS AND/OR PATENTS PENDING.

THIS PRODUCT DESIGNED AND BUILT BY AMP INCORPORATED. NO LICENSE TO USE THAT DESIGN OR MANUFACTURE, OR TO USE ANY DESIGN OR PATENT PATENTS WHICH ARE INVOLVED, IS IMPLIED.

REVISIONS			
ZONE	LTR	DESCRIPTION	DATE



THIS KIT CONSISTS OF THE FOLLOWING ITEMS

1. LGH CAP
2. O-RING
3. INSTRUCTION SHEET.

PART NO. OF THIS DWG - 1

QTY REQD	QTY REQD	ITEM NO.	DWG SIZE	PART OR IDENTIFYING NO.	NOMENCLATURE OR DESCRIPTION	SYMBOL
-2	-1					

UNLESS OTHERWISE SPECIFIED: DIMENSIONS ARE IN INCHES TOLERANCES .00+/- ANGLE ± .000+/-				CONTRACT NO. DR <i>1-10-69</i>		AMP INCORPORATED CAPITRON DIVISION ELIZABETHTOWN, PENNSYLVANIA	
MATERIAL:				CHK	NAME KIT, LGH-4		
FINISH:				APPD <i>1-13-69</i>	PROTECTIVE CAP WITH O-RING SEAL		
NEXT ASSY				DSGN APPD	SIZE B	CODE IDENT NO. 89110	NUMBER 849254
FINAL ASSY				OTHER APPD	SCALE	WT	SHEET
QTY REQD	FINAL ASSY	NEXT ASSY	USED ON	APPLICATION			

AMP 1470 REV 8/66

CUSTOMER DRAWING