

4

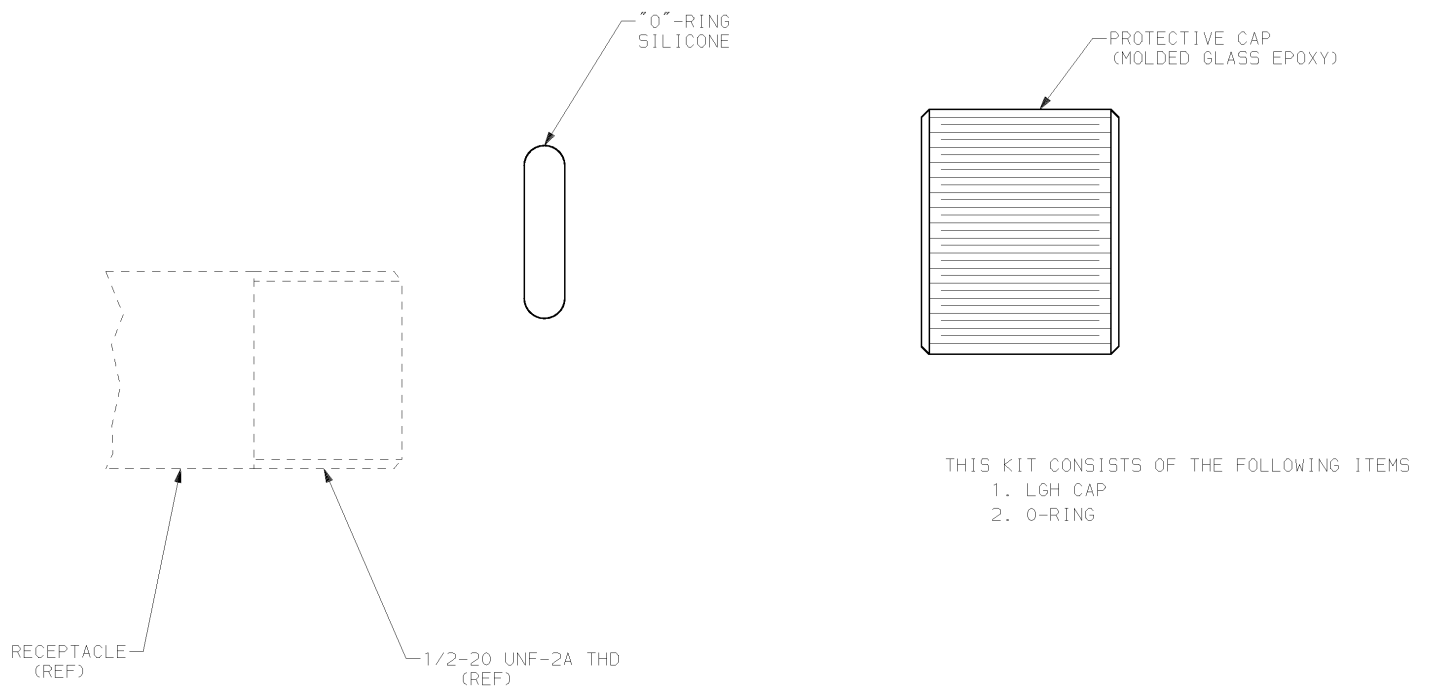
3

2

1

THIS DRAWING IS UNPUBLISHED. RELEASED FOR PUBLICATION .19
 © COPYRIGHT 19 BY AMP INCORPORATED. ALL RIGHTS RESERVED.

| LOC | DIST | REVISIONS | | | | |
|-----|------|-----------------------------|--------|-----|------|--|
| P | LTR | DESCRIPTION | DATE | DWN | APVD | |
| | A | REV REDRAW PER 0600-7732-98 | 2-2-99 | JB | DE | |



| | | | | | |
|---|--------|--------------------|------------------------|--|--------------------|
| THIS DRAWING IS A CONTROLLED DOCUMENT. | | DWN J. A. Baker | 01-05-99 | AMP Incorporated Harrisburg, PA 17105-3608 | |
| DIMENSIONS: mm | | CHK D. EARY | NAME D. EARY | KIT, LGH 1 AND 1L PROTECTIVE CAP WITH O-RING SEAL | |
| TOLERANCES UNLESS OTHERWISE SPECIFIED: | | APVD D. EARY | PRODUCT SPEC | SIZE A3 | CAGE CODE 00779 |
| 0 PLC ±.015 | | APPLICATION SPEC | DRAWING NO C-849252 | RESTRICTED TO - | |
| 1 PLC ±.010 | | WEIGHT | CUSTOMER DRAWING | SCALE 4:1 | SHEET 1 OF 1 |
| 2 PLC ±.008 | | | | | |
| 3 PLC ±.005 | | | | | |
| 4 PLC ±.003 | | | | | |
| ANGLES ±.5° | | | | | |
| MATERIAL | FINISH | | | | |

AMP 1470-19 REV 27JUN96

05-JAN-99 14:41:55 amp27592 /home/amp27592/edmod