

4

3

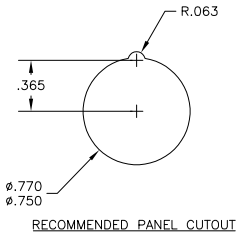
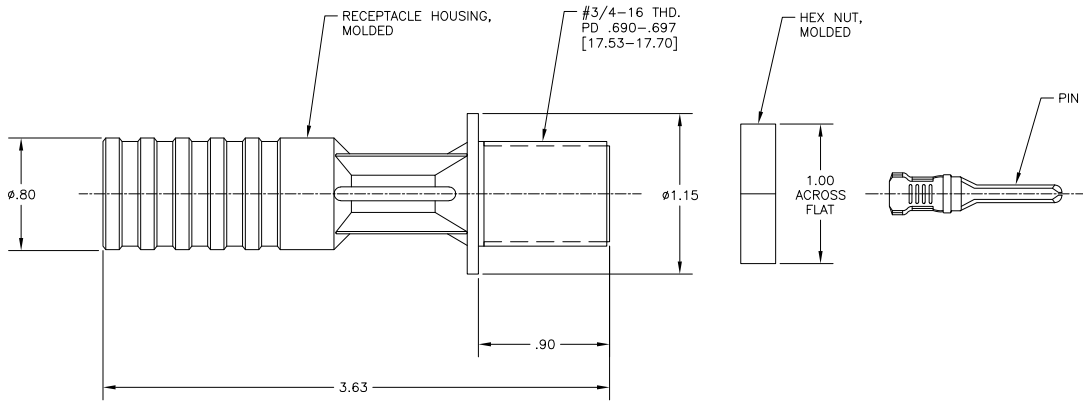
2

1

THIS DRAWING IS UNPUBLISHED. RELEASED FOR PUBLICATION  
 © COPYRIGHT BY TYCO ELECTRONICS CORPORATION. ALL RIGHTS RESERVED.

LOC	DIST	REVISIONS					
DF	S5	P	LTR	DESCRIPTION	DATE	MIN	APD
		E		REV PER 0H14-0191-05	05-05	AA	DE

1. EXTRACTION TOOL #863558-1.
2. NUT AND PIN CONTACT SUPPLIED WITH KIT UNASSEMBLED.



90145-2	66261-5	16	5-863350-3
90145-1	66261-5	12-14	5-863350-2
90140-1	66259-5	10	5-863350-1
90145-2	66261-1	16	863350-3
90145-1	66261-1	12-14	863350-2
90140-1	66259-1	10	863350-1

DIE INSERT NO.'S HAND TOOL 69710-1 OR PNEUMATIC TOOL 69365		PIN NO.	WIRE SIZE RANGE (AWG)	PART NO.																																				
THIS DRAWING IS A CONTROLLED DOCUMENT.		<table border="1"> <tr> <td>DESIGNED BY</td> <td>J. KAISER</td> <td>DATE</td> <td>10-20-03</td> </tr> <tr> <td>CHECKED BY</td> <td>D. EABY</td> <td></td> <td></td> </tr> <tr> <td>APPROVED BY</td> <td>D. EABY</td> <td></td> <td></td> </tr> <tr> <td>PRODUCT SPEC</td> <td></td> <td></td> <td></td> </tr> <tr> <td>APPLICATION SPEC</td> <td></td> <td></td> <td></td> </tr> <tr> <td>WEIGHT</td> <td></td> <td></td> <td></td> </tr> </table>			DESIGNED BY	J. KAISER	DATE	10-20-03	CHECKED BY	D. EABY			APPROVED BY	D. EABY			PRODUCT SPEC				APPLICATION SPEC				WEIGHT															
DESIGNED BY	J. KAISER	DATE	10-20-03																																					
CHECKED BY	D. EABY																																							
APPROVED BY	D. EABY																																							
PRODUCT SPEC																																								
APPLICATION SPEC																																								
WEIGHT																																								
<table border="1"> <tr> <td>DIMENSIONS:</td> <td>INCHES</td> <td>0.001</td> <td>0.002</td> <td>0.005</td> <td>0.010</td> <td>0.020</td> <td>0.050</td> <td>0.100</td> <td>0.200</td> <td>0.500</td> <td>1.000</td> <td>2.000</td> <td>5.000</td> <td>10.000</td> </tr> <tr> <td>TOLERANCES UNLESS OTHERWISE SPECIFIED:</td> <td></td> <td></td> <td></td> <td></td> <td></td> <td></td> <td></td> <td></td> <td></td> <td></td> <td></td> <td></td> <td></td> <td></td> </tr> </table>		DIMENSIONS:	INCHES	0.001	0.002	0.005	0.010	0.020	0.050	0.100	0.200	0.500	1.000	2.000	5.000	10.000	TOLERANCES UNLESS OTHERWISE SPECIFIED:															<table border="1"> <tr> <td>SIZE</td> <td>A2</td> <td>QAGE CODE</td> <td>00779</td> <td>DRAWING NO.</td> <td>C-863350</td> </tr> </table>			SIZE	A2	QAGE CODE	00779	DRAWING NO.	C-863350
DIMENSIONS:	INCHES	0.001	0.002	0.005	0.010	0.020	0.050	0.100	0.200	0.500	1.000	2.000	5.000	10.000																										
TOLERANCES UNLESS OTHERWISE SPECIFIED:																																								
SIZE	A2	QAGE CODE	00779	DRAWING NO.	C-863350																																			
MATERIAL: - FINISH: -		<table border="1"> <tr> <td>CUSTOMER DRAWING</td> <td>SCALE</td> <td>2:1</td> <td>SHEET</td> <td>1 OF 1</td> <td>REV</td> <td>E</td> </tr> </table>			CUSTOMER DRAWING	SCALE	2:1	SHEET	1 OF 1	REV	E																													
CUSTOMER DRAWING	SCALE	2:1	SHEET	1 OF 1	REV	E																																		

AMP 1471-9 REV 31MM2000

863350

A