

4

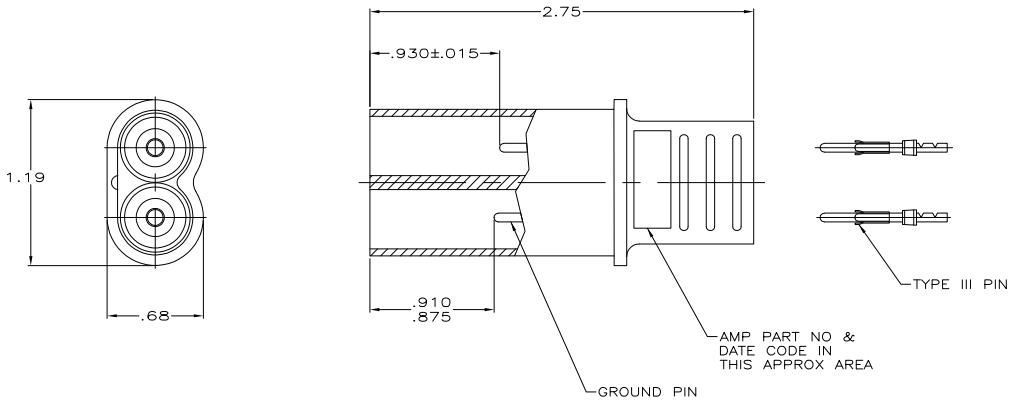
3

2

1

THIS DRAWING IS UNPUBLISHED. RELEASED FOR PUBLICATION - N/A
 © COPYRIGHT N/A BY TYCO ELECTRONICS CORPORATION. ALL RIGHTS RESERVED.

LOC	DIST	REVISIONS					
DF	SO	P	LTR	DESCRIPTION	DATE	MIN	APD
		G		REV PER 0H14-0191-05	05-05	AA	DE



TIN	18-16 AWG	1-66099-5	90067-2	862434-7
TIN	22-20 AWG	1-66400-0	90067-2	862434-6
GOLD	18-16 AWG	66099-1	90067-2	862434-5
TIN-LEAD	22-20 AWG	66400-1	90067-2	862434-4
TIN-LEAD	18-16 AWG	66099-2	90067-2	862434-3
TIN-LEAD	22-20 AWG	66400-1	90067-2	862434-2
TIN-LEAD	18-16 AWG	66099-2	90067-2	862434-1
CONTACT PLATING (REF)	WIRE RANGE FOR PINS	PIN PART NO. QTY = 2	HAND TOOL	PART NO.

THIS DRAWING IS A CONTROLLED DOCUMENT.

DESIGNED BY: C. C. THOMAS 15-MAY-03	APPROVED BY: D. EASY 15-MAY-03	DATE: 15-MAY-03	NAME: D. EASY
DIMENSIONS: INCHES	PLACEMENT DIMENSIONS: DIMENSIONS UNLESS OTHERWISE SPECIFIED	APPLICATION SPEC: PRODUCT SPEC	SIZE: A2
MATERIAL: -	FINISH: -	WEIGHT: -	CHG CODE: 00779
CUSTOMER DRAWING		DRAWING NO: C-862434	
		SCALE: 2:1	SHEET 1 OF 1
		REV G	

TYCO Electronics Corporation
Harrisburg, Pa 17105-3608

PLUG KIT
2 CAVITY
LGH

RESTRICTED TO: -

AMP 1471-9 REV 31MM2000

862434

A