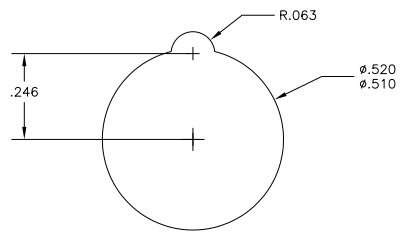


THIS DRAWING IS UNPUBLISHED. RELEASED FOR PUBLICATION
 © COPYRIGHT BY TYCO ELECTRONICS CORPORATION. ALL INTERNATIONAL RIGHTS RESERVED.

LOC		DIBT		REVISIONS			
DF	SO	P	LTR	DESCRIPTION	DATE	MIN	APD
		L		REV PER EDO-08-019875	15SEP08	PK	DE



RECOMMENDED CUSTOMER BULKHEAD MOUNTING

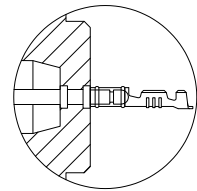


FIG. II

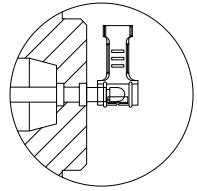


FIG. III

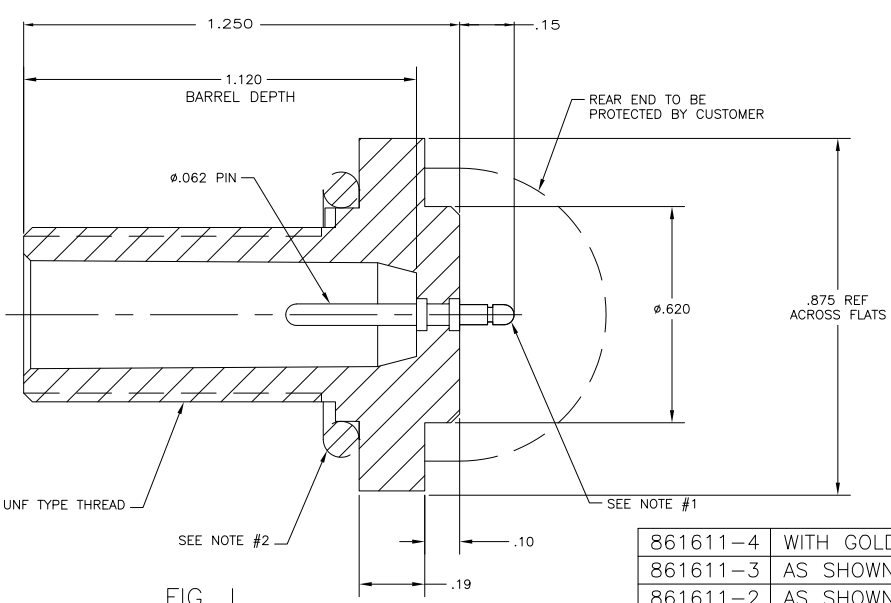
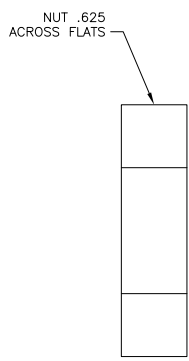


FIG. I



- NOTE:
- DO NOT SOLDER TO PIN: USE SNAP ON SOCKET ONLY.
 - RECOMMENDED "O"RING .612 I.D. X .103 WIDE WHEN REQUIRED (SUPPLIED BY CUSTOMER).
 - USE AMP CRIMP TOOL #90204-1.
 - NUT IS SUPPLIED WITH KIT BUT NOT ASSEMBLED.

PART NO.	DESCRIPTION	FIG. NO.
861611-4	WITH GOLD PLATED STRAIGHT ON SOCKET	II
861611-3	AS SHOWN, WITH RIGHT ANGLE SOCKET	III
861611-2	AS SHOWN, WITH STRAIGHT ON SOCKET	II
861611-1	AS SHOWN, NO SOCKET	I

THIS DRAWING IS A CONTROLLED DOCUMENT.

DIMENSIONS: INCHES 0 PLC ± .01 1 PLC ± .02 2 PLC ± .03 3 PLC ± .05 4 PLC ± .005 ANGLES ± .5°	TOLERANCES UNLESS OTHERWISE SPECIFIED: FINISH: BLACK	J. KAISER 1/12/04 OK: EASY D. EASY NAME: RECEPTACLE, LGH APPLICATION SPEC: WEIGHT: A200779C-861611 CUSTOMER DRAWING	Tyco Electronics Corporation Harrisburg, PA 17105-3608 SIZE: A2 SCALE: 5:1 SHEET: 1 of 1 REV: L
---	---	---	--