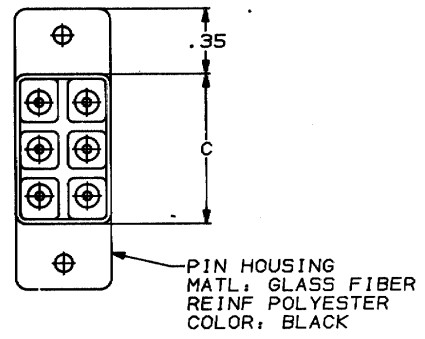
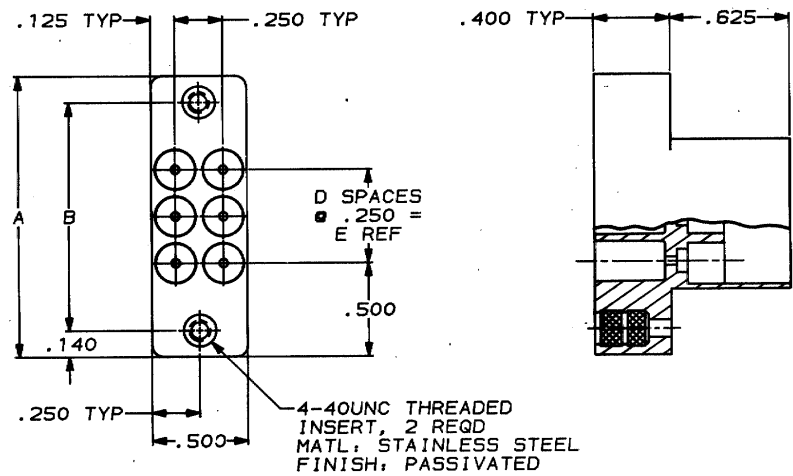


DRAWING MADE IN THIRD ANGLE PROJECTION

THIS DRAWING IS UNPUBLISHED. RELEASED FOR PUBLICATION, 19
 © COPYRIGHT 19 BY AMP INCORPORATED. ALL INTERNATIONAL RIGHTS RESERVED.

PROD LOC DIST
 4090 DF 50

REVISIONS		DATE	APPD
DESCRIPTION			
RELEASED PER W.O.9-071F		4-10-88	BY



.500	2	.80	1.219	1.500	6	867781-3
.250	1	.55	.969	1.250	4	867781-2
		.30	.719	1.000	2	867781-1
E	D	C	B	A	NO OF POSN	PART NUMBER

DO NOT SCALE PRINT. UNLESS SPECIFIED DIMENSIONS IN INCHES TOLERANCES ON: 13 P.L.C. DEC ± .02 15 P.L.C. DEC ± .001 ANGLES ±	DR <i>Beant Dykstra 4-10-88</i> CR <i>M. J. Jordan 4-10-88</i> APPR <i>M. J. Jordan 4-10-88</i> APPR <i>Chris Latta 4-10-88</i>	AMP AMP INCORPORATED Harrisburg, Pa. 17105		
	MATERIAL SEE CALLOUTS	NAME PRODUCT SPEC	PIN HOUSING, LGH	
	FINISH SEE CALLOUTS	APPLICATION SPEC	SIZE B	PCHG NO 00779
	WEIGHT	DRAWING NO 867781	SCALE 2:1	SHEET 1 OF 1

CUSTOMER DRAWING

AMP 1470-16 REV 3-87