

4

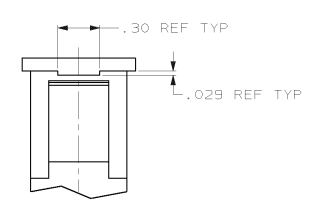
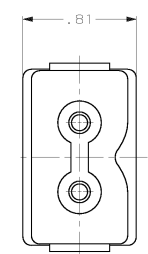
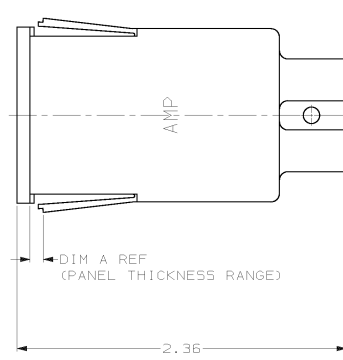
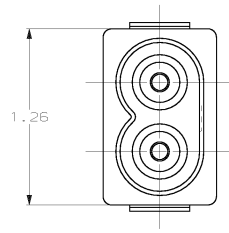
3

2

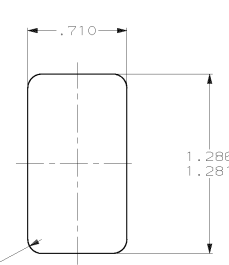
1

THIS DRAWING IS UNPUBLISHED.
 (C) COPYRIGHT IS BY AMP INCORPORATED. ALL RIGHTS RESERVED.

REV	DATE	DESCRIPTION	BY	CHKD	APP'D
DF	50				
D		REV PER 063D-0181-03			
	4-03		CT	DE	



.30 TAB ON ALL
 DASH NUMBERS EXCEPT -2



R.100
 MAX TYP

RECOMMENDED
 PANEL CUTOUT

DIM A	PART NO.
.051-.065	862382-9
.051-.065	862382-8
.051-.065	862382-7
.082-.096	862382-6
OBSOLETE .024-.038	862382-5
.051-.065	862382-4
.082-.096	862382-3
.024-.038	862382-2
.051-.065	862382-1

THIS DRAWING IS A CONTROLLED DOCUMENT

DATE	4-21-03	BY	J.C. THOMAS
CHKD	4-21-03	BY	D. EARY
DATE	4-21-03	BY	D. EARY
PRODUCT SPEC		APPLICATION SPEC	
HEIGHT			

tyco
Electronics

TYCO Electronics
 Harrisburg, PA 17105-3608

RECEPTACLE HOUSING, 2 CAVITY, LGH

MATERIAL: VALOX COLOR: BLACK

SCALE: 2:1 SHEET: 1 OF 1 REV: 0

STAMP: A2 00779 862382

AMP 1471-9 REV 11/04/97
 21-496-03 13:55:07 us01E412 /home/upt01E412/docroot