

4

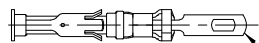
3

2

1

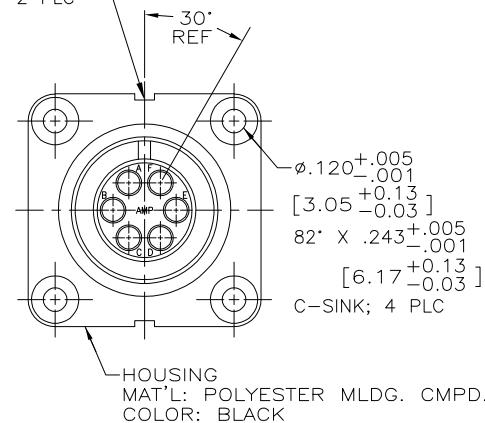
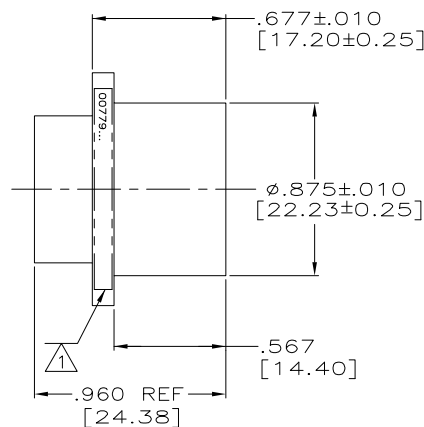
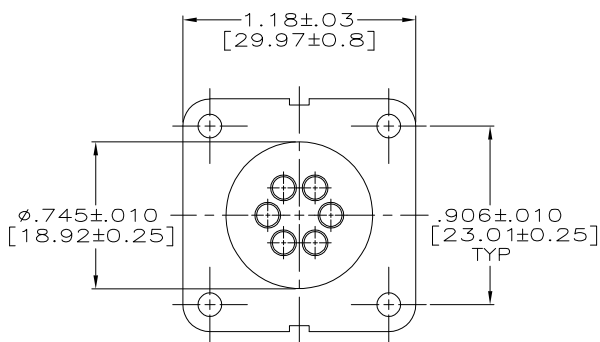
THIS DRAWING IS UNPUBLISHED. RELEASED FOR PUBLICATION - .N/A .  
 © COPYRIGHT N/A BY TYCO ELECTRONICS CORPORATION. ALL RIGHTS RESERVED.

LOC		DIST		REVISIONS			
P	LTR	DESCRIPTION		DATE	DWN	APVD	
G		REV PER ECO 06-14737		6-22-06	CT	DE	



SOCKET CONTACT SIZE #16 TYPE III+  
 MAT'L: BRASS PER-ASTM-B-16  
 FINISH:  $\triangle 5/6$

INDENTATION ALLOWED AT GATE  
 2 PLC



HOUSING MAT'L: POLYESTER MLDG. CMPD. COLOR: BLACK

- $\triangle 1$  MARKED PER MIL-STD-130.
- 2. FRONT FACE OF CONNECTOR WILL ACCEPT A PIN CONTACT CONNECTOR WHICH MATES WITH A MS3102A-14S-6S CONNECTOR.
- 3. HOUSING IS NOT PROVIDED WITH A THREADED FRONT SKIRT.
- $\triangle 4$  SAME AS 864900-2, EXCEPT NO C'SINK IN 0.120 MOUNTING HOLES.
- $\triangle 5$  PLATED 93/7 TIN-LEAD OR TIN PER ASTM-B-545 OVER NICKEL PER AMS-QQ-N-290.
- $\triangle 6$  PLATED TIN PER ASTM-B-545 OVER NICKEL PER AMS-QQ-N-290.

FINISH	REMARKS	PART NO.
$\triangle 6$	SUPPLIED W/CONTACTS	5-864900-1
-	$\triangle 4$	864900-4
-	SUPPLIED W/O CONTACTS	864900-2
$\triangle 5$	SUPPLIED W/CONTACTS	864900-1

THIS DRAWING IS A CONTROLLED DOCUMENT.

DIMENSIONS: INCHES	TOLERANCES UNLESS OTHERWISE SPECIFIED:	DWN C.C.THOMAS 05-NOV-92	Tyco Electronics Corporation Harrisburg, Pa 17105-3608											
<table border="1"> <tr><td>0 PLC</td><td>± -</td></tr> <tr><td>1 PLC</td><td>± -</td></tr> <tr><td>2 PLC</td><td>± -</td></tr> <tr><td>3 PLC</td><td>± .006[0.13]</td></tr> <tr><td>4 PLC</td><td>± -</td></tr> <tr><td>ANGLES</td><td>± -</td></tr> </table>	0 PLC	± -		1 PLC	± -	2 PLC	± -	3 PLC	± .006[0.13]	4 PLC	± -	ANGLES	± -	FINISH
0 PLC	± -													
1 PLC	± -													
2 PLC	± -													
3 PLC	± .006[0.13]													
4 PLC	± -													
ANGLES	± -													
MATERIAL SEE CALLOUTS	FINISH SEE CALLOUTS	APVD S.GLATFELTER 09-NOV-92	RCPT. KIT											
		CHK S.GLATFELTER 09-NOV-92	6 POSN, LGH											
		APVD S.GLATFELTER 09-NOV-92	MS3102A-14S-6S CONFIGURATION											
		PRODUCT SPEC	SIZE CAGE CODE DRAWING NO RESTRICTED TO											
		APPLICATION SPEC	A3 00779 C-864900 -											
		WEIGHT	CUSTOMER DRAWING SCALE 2:1 SHEET 1 OF 1 REV G											

AMP 1470-19 REV 31MAR2000

22JUN2006 12:41pm us016412

H:\docmod\864900\_1\_c.dwg