

4

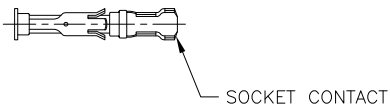
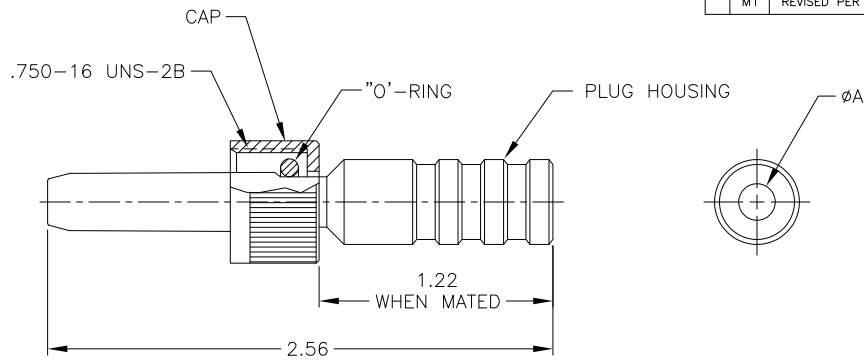
3

2

1

THIS DRAWING IS UNPUBLISHED. RELEASED FOR PUBLICATION
 © COPYRIGHT - By - ALL RIGHTS RESERVED.

LOC	DIST	REVISIONS			
P	LTR	DESCRIPTION	DATE	DWN	APVD
DF	SO	M1	REVISED PER ECO-11-005030	11MAR11	RK HMR



	20-22 AWG	.302	1-66399-0	5-861610-4
	16-18 AWG	.185	1-66101-9	5-861610-3
	16-18 AWG	.302	1-66101-9	5-861610-2
	20-22 AWG	.185	1-66399-0	5-861610-1
OBSOLETE	14 AWG	.302	66360-2	861610-8
OBSOLETE	14 AWG	.185	66360-2	861610-7
	-	.302	-	861610-6
	-	.185	-	861610-5
	20-22 AWG	.302	66399-1	861610-4
	16-18 AWG	.185	66101-2	861610-3
	16-18 AWG	.302	66101-2	861610-2
	20-22 AWG	.185	66399-1	861610-1
	SOCKET WIRE SIZE	DIM A	SOCKET CONTACT TYPE III+ QTY = 1	PART NUMBER

1. MAX VOLTAGE AFTER PROPER ASSEMBLY: 20 KVDC
2. MATES WITH TYCO P/N'S: 861611, 861753 AND 862197.

DIMENSIONS:		TOLERANCES UNLESS OTHERWISE SPECIFIED:		DWN		TE Connectivity	
INCHES				C.C.THOMAS 11OCT04		KIT, HI-VOLTAGE PLUG, LGH	
		0 PLC	± -	CHK	D.EABY 10-12-04	SIZE CAGE CODE DRAWING NO RESTRICTED TO A3 00779 C-861610 -	
		1 PLC	± -	APVD	D.EABY 10-12-04		
		2 PLC	± .01	NAME			
		3 PLC	± .005	PRODUCT SPEC			
		4 PLC	± -	APPLICATION SPEC			
MATERIAL		FINISH		WEIGHT		SCALE 2:1 SHEET 1 OF 1 REV M1	
CUSTOMER DRAWING							