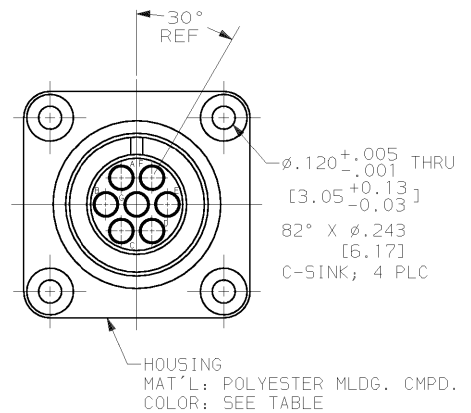
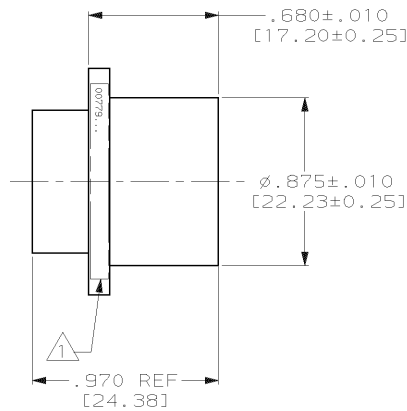
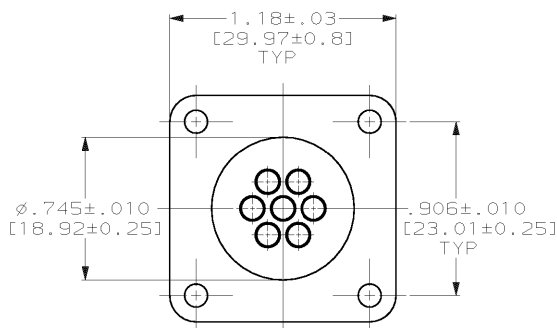


DRAWING MADE IN THIRD ANGLE PROJECTION

THIS DRAWING IS UNPUBLISHED. RELEASED FOR PUBLICATION
 © COPYRIGHT 19 BY AMP INCORPORATED

PROD 4085 LUC DF DIST 50

REVOLUTIONS		DATE	APPD
ZONE	LTR	DESCRIPTION	
	O	RELEASED PER 0600-2854-94 CT	9-94 DE
	A	ADD -3; 0600-5311-96 CT	4-96 DE
	B	REV PER 063D-0192-99 JEB	3-00 DE



- 1 MARKED PER MIL-STD-130.
- 2. RECEPTACLE HAS NO MATING THREADS.
- 3 "PMS" PANTONE MATCHING SYSTEM #3145 U.

SPECIAL AQUA BLUE / 3	443065-3
BLACK	443065-1
COLOR	PART NO.

DO NOT SCALE PRINT. UNLESS SPECIFIED DIMENSIONS IN INCHES (mm)	DR 9-12-94 C.C. THOMAS
TOLERANCES ON:	CHK 9-21-94 D.EABY
2 PLC DEC ±	APPD 9-21-94 D.EABY
3 PLC DEC ± .005 (0.13)	RLSE 9-21-94 C.C. THOMAS
ANGLES ±	PRODUCT SPEC
MATERIAL	SEE CALLOUTS
FINISH	-
	APPLICATION SPEC
	WEIGHT -

AMP Incorporated Harrisburg, PA 17105-3608		
NAME RECEPTACLE, 7 POSN., LGH		
SIZE B	CAGE CODE 00779	DRAWING NO. C=443065
SCALE 2:1	SHEET 1 OF 1	

THIS DRAWING IS A CONTROLLED DOCUMENT FOR AMP INCORPORATED. IT IS SUBJECT TO CHANGE AND THE CONTROLLING ENGINEERING ORGANIZATION SHOULD BE CONTACTED FOR THE LATEST REVISION.

AMP 1470-15 REV 3-92
 10-MAR-00 14:56:23 amp14409 / home/amp14409/edmod

CUSTOMER DRAWING