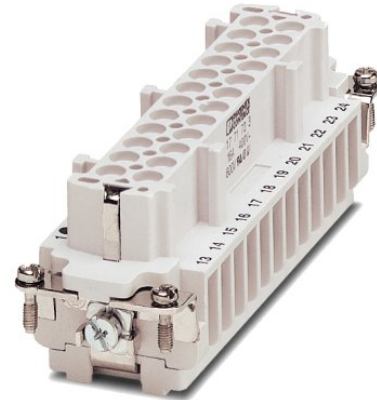


HC-B 24-EBUC

Order No.: 1771736



<http://eshop.phoenixcontact.de/phoenix/treeViewClick.do?UID=1771736>

HEAVYCON female insert, B24 series, 24-pos., crimp connection

| Commercial data | |
|--------------------------|--------------------|
| EAN | 4017918036454 |
| Pack | 10 pcs. |
| Customs tariff | 85366990 |
| Weight/Piece | 0.09855 KG |
| Catalog page information | Page 347 (PC-2007) |

Product notes

WEEE/RoHS-compliant since:
03/01/2006



<http://www.download.phoenixcontact.com>
Please note that the data given here has been taken from the online catalog. For comprehensive information and data, please refer to the user documentation. The General Terms and Conditions of Use apply to Internet downloads.

| Technical data | |
|---------------------------------|---|
| General data | |
| Note | For HC-B24 housing, crimp contacts CK 2,5-ED (crimp contacts not included in scope of supply) |
| Connection method | Crimp connection |
| Ambient temperature (operation) | -40 °C ... 125 °C (including heating up of contacts) |
| Pollution degree | 3 |

| | |
|---|--|
| Surge voltage category | III |
| Constructional and testing regulations | DIN VDE 0627/86 |
| | DIN VDE 0110/02.79 |
| | DIN VDE 0110-1/04.97 |
| | IEC 60664-1, DIN IEC 60512 |
| | IEC 60352 |
| Number of positions | 24 |
| Insertion/withdrawal cycles | ≥ 500 |
| Design | B24 |
| Connection in acc. with standard | IEC / EN |
| Conductor cross section | 0.5 mm ² ... 4 mm ² |
| Connection cross section AWG | 20 ... 12 |
| Stripping length of the individual wire | 7.5 mm |
| Connection | For housings of type B16/B32. Connectors may only be actuated when there is no load/voltage. |

Material data

| | |
|------------------------------------|-----------------------|
| Inflammability class acc. to UL 94 | V0 |
| Contact material | Copper alloy |
| Contact surface material | Ag (alternatively Au) |
| Contact carrier material | PA |

Electrical characteristics

| | |
|-----------------------|-------|
| Rated voltage (III/3) | 500 V |
| Rated surge voltage | 6 kV |
| Rated current | 16 A |

Certificates / Approvals



Certification CSA, GOST, UL

CSA

| | |
|--------------------------------|-------|
| Nominal voltage U _N | 600 V |
| Nominal current I _N | 16 A |
| AWG/kcmil | 20-14 |

UL

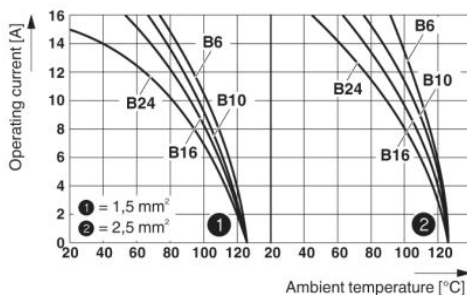
| | |
|-----------------------|-------|
| Nominal voltage U_N | 600 V |
| Nominal current I_N | 15 A |
| AWG/kcmil | 18-14 |

Accessories

| Item | Designation | Description |
|----------------|-------------|---|
| General | | |
| 1584693 | CK2,5-ED-BB | Dummy socket for contact carrier with turned CK 1,6-ED.. female contacts |
| 1644326 | HC-B-3PE | PE multiplier, for three PE connections, for HC-B (besides HC-B..E..ZZ) / HC-BB / HC-DD / HC-D40 / HC-D64 contact inserts |
| 1604997 | HC-B-PES | PE screw, for contact inserts HC-B / HC-BB / HC-DD / HC-D40 / HC-D64 |
| 1685327 | HC-B-ZG | Strain relief clamps contact inserts of series: B-, BB-, D 40, D 64, DD and HV, straight cable exit |
| 1685330 | HC-B-ZS | Strain relief clamps contact inserts of series: B-, BB-, D 40, D 64, DD and HV, lateral cable exit |
| 1772722 | HC-CB | Coding pin, prevents mismatching of up to six plug connectors with an identical number of positions |
| 1676860 | HC-CBU | Keying socket for coding up to 16 plug connectors |
| 1676857 | HC-CST | Keying peg for coding up to 16 plug connectors |
| 1687985 | HC-SMR-B24 | HEAVYCON connector assembly frame, for contact inserts of type B24 |

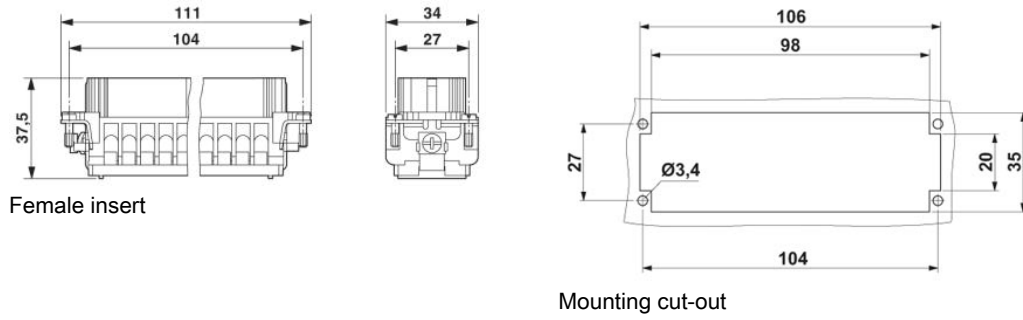
Diagrams/Drawings

Diagram



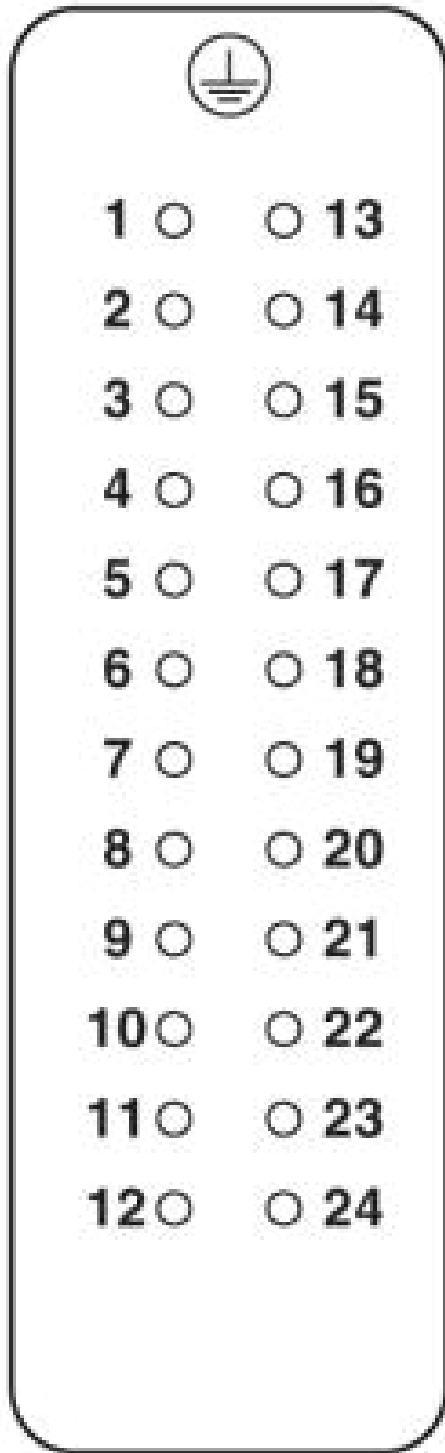
Derating diagram: Series HC-B...S / HC-B...C

Dimensioned drawing



Schematic diagram

Connector pin assignment, connection side



Address

PHOENIX CONTACT Inc., USA
586 Fulling Mill Road
Middletown, PA 17057, USA
Phone (800) 888-7388
Fax (717) 944-1625
<http://www.phoenixcon.com>



© 2010 Phoenix Contact
Technical modifications reserved;