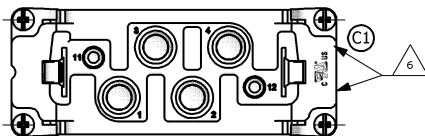


THIS DRAWING IS UNPUBLISHED VERTRAULICHE UNVERÖFFENTLICHE ZEICHNUNG		RELEASE FOR PUBLICATION FREI FÜR VERÖFFENTLICHUNG		MATED WITH: PASSEND ZU:		LOC		DIST		REVISIONS ÄNDERUNGEN							
COPYRIGHT 2000		BY AMP INCORPORATED		1102075		AI		-		DESCRIPTION BESCHREIBUNG		DATE		DWN		APVD	
										NEW CSA LOGO ADDED		11.08.2008		SR		ST	

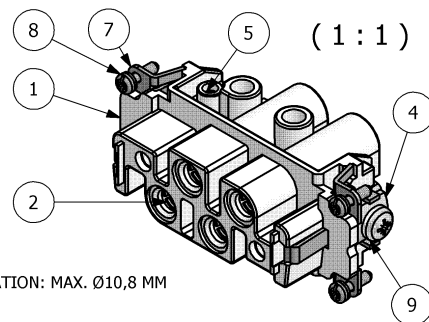
**CONTACT ARRANGEMENT  
VIEW FROM CONNECTING SIDE**

**A (2:1)**



**HMX.4/2.BU.S  
0-1102076-1  
16A 400V 6KV 3  
80A 690V 6KV 3**

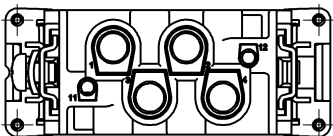
0-1 AS SHOWN  
ORDERING TEXT: HMX.4/2.BU.S



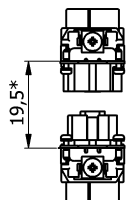
**NOTES**

- 1 POWER CONTACT: 1 TO 4  
OUTER DIMENSIONS OF INSULATION: MAX. Ø10,8 MM
- 2 SIGNAL CONTACT: 11 AND 12  
OUTER DIMENSIONS OF INSULATION: MAX. Ø4,8 MM
- 3 GROUNDING CONTACT
- 4 SUITABLE HOOD SIZE 6: SERIES HB; HD; EMV AND HIP
- 5 STANDARDS:  
DIN EN 61984; DIN EN 60664-1
- 6 UL; CSA AUTHORISATION
- 7 PACKAGING:  
5 PIECES IN A CARTON

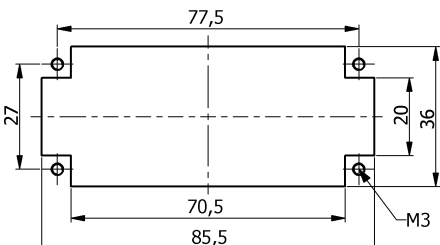
**CONTACT ARRANGEMENT  
VIEW FROM TERMINATION SIDE**



\* DISTANCE FOR GUARANTEED  
CONTACT MAX. 21 mm



**PANET CUT-OUT CONTACT INSERT  
WHEN USED WITHOUT HOUSING**



QTY.	DESCRIPTION	MATERIAL	SURFACE	COLOR	NOTE	ITEM
1	SCREW	STEEL	NICKEL PLATED	BLUE	DIN EN ISO 1207-M5X8	9
4	FIXING SCREW	STEEL	NICKEL PLATED	BLUE	M3X10,5	8
2	SOCKET GROUNDING CONTACT	BRASS	NICKEL PLATED	BLUE	-	7
4	THREAD PIN	STEEL	NICKEL PLATED	BLUE	-	6
2	CONTACT SCREW	STEEL	NICKEL PLATED	BLUE	M3X5,7	5
1	CLAMP TAB	STEEL	NICKEL PLATED	BLUE	---	4
2	SOCKET CONTACT	BRASS	SILVER PLATED	BLUE	-	3
4	SOCKET CONTACT	BRASS	SILVER PLATED	BLUE	-	2
1	FEMALE INSERT	PBT-GF30	-	LIGHT GREY	-	1

**PARTS LIST**

THIS DRAWING IS A CONTROLLED DOCUMENT FOR AMP INCORPORATED. IT IS SUBJECT TO CHANGE AND THE CONTROLLED REGISTERED ORGANIZATION SHOULD BE CONTACTED FOR THE LATEST REVISION. COPIES OF THIS DRAWING SHOULD BE CONTROLLED BY THE REGISTERED ORGANIZATION. ADRESSE: TECHNISCHE ZEICHNUNGEN FÜR DIE VERBUNDENEN UNTERNEHMEN DER AMP-FAMILIE. DEN JEWEILIGEN STAND DER VERBUNDENEN UNTERNEHMEN DER AMP-FAMILIE ZU ENTSPRECHEN. ALLE RECHTE VORBEHALTEN.		DWN	12.07.2005	Tycos / Electronics AMP GmbH D - 53819 Neunkirchen	
CHK	SCHNEIDER	12.07.2005	Tycos Electronics		
APVD	SCHNURPFEL	NAME			
DIMENSIONS: DIMENSIONEN: mm		PRODUCT SPEC. PRODUKTSPEZ.		FEMALE INSERT HMX.4/2.BU.S	
TOLERANCES UNLESS OTHERWISE SPECIFIED: ALLGEMEINTOLERANZEN		APPLICATION SPEC. VERARBEITUNGSSPEZ.		DRAWING NO. ZEICHNUNGS-NR.	
0 P/LC - mm-E 1 P/LC - mm-E 2 P/LC - mm-E 3 P/LC - mm-E ANGLES / WINKEL		108-74058		114-74058	
MATERIAL		WEIGHT GEWICHT		RESTRICTED TO NUR FÜR	
FINISH / OBERFLÄCHE / FARBE		0,126 KG		A3 00779	
		CUSTOMER DRAWING / KUNDENZEICHNUNG		SCALE MASSSTAB 1:1	
				SHEET BLATT 1 OF 1	
				REV. D1	