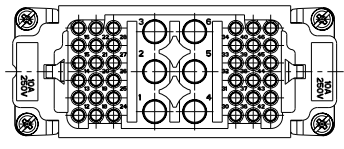


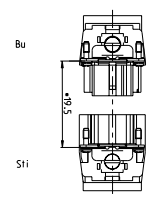
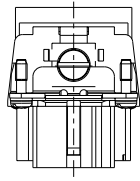
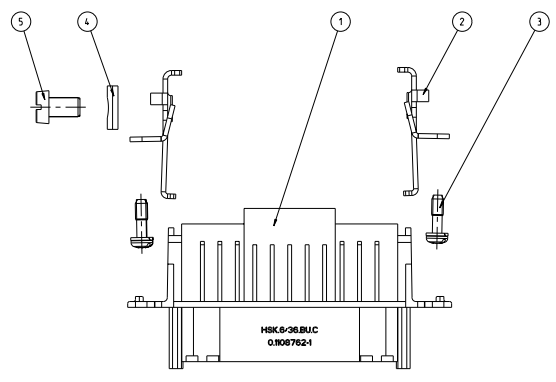
REV	DATE	DESCRIPTION	BY	CHK	APP
B1	ECR-09-020756		OPER2000	SR	ME

PANEL CUT-OUT FOR CONTACT INSERT  
 WHEN USED WITHOUT HOUSING



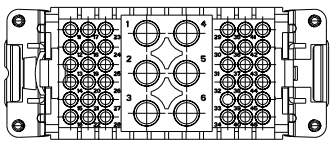
NOTES

- POWER CONTACT : 1 TO 12  
 OUTER DIMENSIONS OF INSULATION: MAX. Ø6.5mm  
 SIGNAL CONTACT: A AND B  
 OUTER DIMENSIONS OF INSULATION: MAX. Ø3.2mm
  - SUITABLE HOOD SIZE 6  
 SERIES HB, HD, EMV, AND HIP
- △ GROUNDING CONTACT
- STANDARDS:  
 DIN EN 61984; DIN EN 60664-1
  - PACKAGING:  
 5 PIECES IN A CARTON BOX



\*DISTANCE ARRANGEMENT  
 VIEW FROM TERMINATION SIDE

CONTACT ARRANGEMENT VIEW FROM  
 TERMINATION SIDE



QTY	DESCRIPTION	MATERIAL	SURFACE	ITEM
1	CYLINDER SCREW - M5	STEEL	NICKEL PLATED	5
1	CLIP TAB	STEEL	NICKEL PLATED	4
4	FIXING SCREW ASSY	STEEL	NICKEL PLATED	3
2	GROUNDING CONTACT-SOCKET	Cu Zn37 F38	NICKEL PLATED	2
1	SOCKET INSERT	VALOX		1

THIS DRAWING IS A CONTROLLED DOCUMENT. © SCHEMATA OPER2000  
 © SCHEMATA OPER2000

STE TE Connectivity

HSK.6/36 FEMALE INSERT HSK.6/36  
 ASSY HSK.6/36

STATE CASE CODE DRAWING NO. REVISIONS TO  
 A 00779 ©=1108762

CUSTOMER DRAWING SCALE 2:1 SHEET 1 OF 1 HSK.6/36