

4

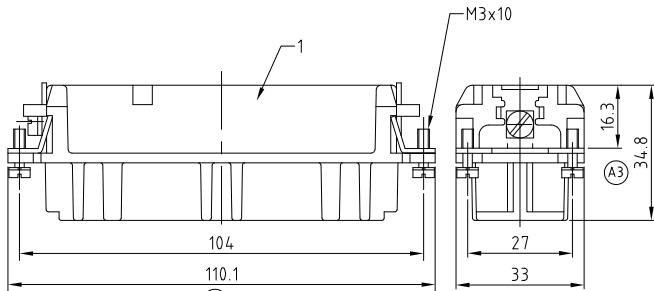
3

2

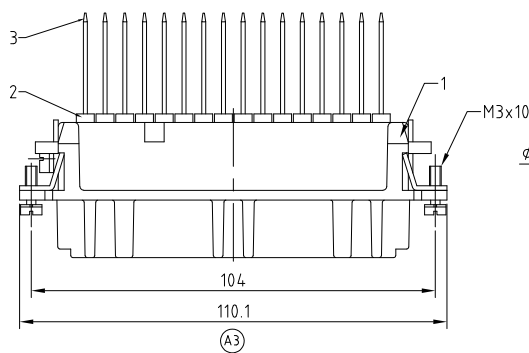
1

THIS DRAWING IS UNPUBLISHED. RELEASED FOR PUBLICATION  
 COPYRIGHT - BY TYCO ELECTRONICS CORPORATION. ALL INTERNATIONAL RIGHTS RESERVED.

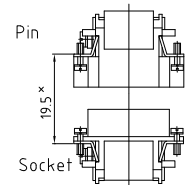
LOC	DIST	REVISIONS				
P	LTR	DESCRIPTION	DATE	DWN	APVD	
A3		Dimension changed	EGDO-1121-04	16.11.04	SM SM	
A4		REVISED PER ECO-11-002591		15FEB11	HMR MM	



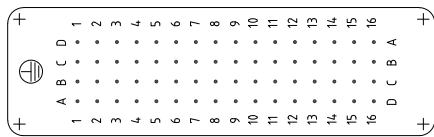
**Kontaktanordnung** Ansicht Anschlußseite  
**Contact arrangement** view from termination side



Assembly reference



Pin  
 Socket  
 x Distance for a safe contact-max: 21 mm



Notes,

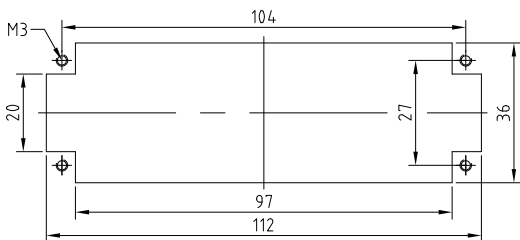
- ⚠ Material: insert, PC  
UL-File Nr.: E101788(R)
- ⚠ use contact-type: HD.M

Bemerkungen,

- ⚠ Material: Einsatz: PC  
UL-File Nr.: E101788(R)
- ⚠ Kontakte: Serie HD.M

**Montageausschnitt bei Verwendung ohne Gehäuse**

**Panel cut-out for contact insert when used without housing**



QTY	DESCRIPTION / BENENNUNG	MATERIAL	COLOR / FARBE	ITEM NO. POS.	REMARKS / BEMERKUNGEN
1	Buchseinsatz HD/socket insert	gray		4	without mounting screws / with 4xφ3.3
64	Kontaktbuchse mit Wickelpfosten/ con. socket with wire wrap terminal			3	
8	Deckelplatte/cover tab	gray		2	
1	Buchseinsatz HD/socket insert	gray		1	

18.06.1997	DWN	Schweiger	18.06.1997	Tyco Electronics Corporation Harrisburg, Pa 17105-3608
02.05.98	CHK	Kramer	02.05.98	
DIMENSIONS: mm		TOLERANCES UNLESS OTHERWISE SPECIFIED:		NAME <b>Tyco Electronics</b>
		0 PLC ±0.15 1 PLC ±0.25 2 PLC ±0.30 3 PLC ±0.40 ANGLES ±0.5°		
ORDERING TEXT / BESTELLTTEXT		PRODUCT SPEC		SIZE
HD.64.Bu.C/OBS		108-74002		CAGE CODE
HD-WW.64.Bu.C/CW		APPLICATION SPEC		DRAWING NO
HD.64.Bu.C		114-74000		RESTRICTED TO
MATERIAL		WEIGHT		SCALE
gray		87g		1:1
FINISH		CUSTOMER DRAWING		SHEET
		SCALE 1:1		1 OF 1
		REV		A4