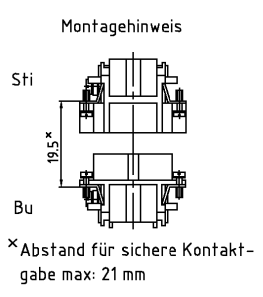
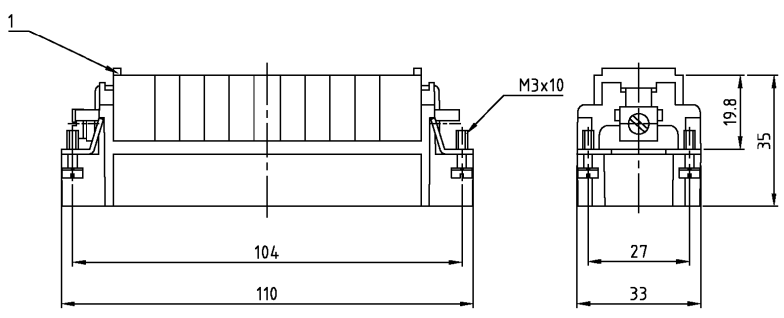


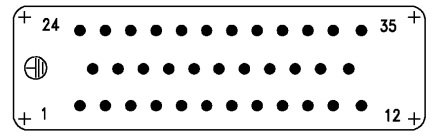
THIS DRAWING IS UNPUBLISHED.  
 VERTRAULICHE UNVERGEPFENTLICHTE ZEICHNUNG  
 © COPYRIGHT 1999  
 RELEASED FOR PUBLICATION  
 FREI FÜR VERÖFFENTLICHUNG  
 .1998  
 BY AMP INCORPORATED. ALL RIGHTS RESERVED.  
 BY AMP INCORPORATED. ALLE RECHTE VORBEHALTEN

MATED WITH:  
 PASSEND ZU:  
 -

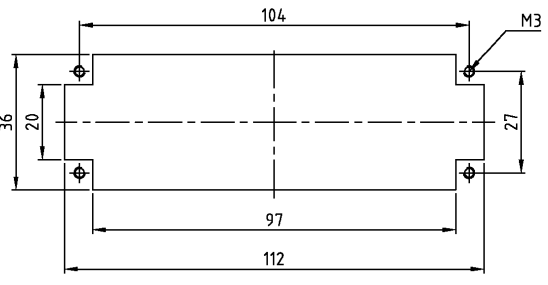
LOC	DIST	REVISIONS ÄNDERUNGEN			DATE	DWR	APVD
AI	-	P	LTR	DESCRIPTION BESCHREIBUNG			
PROJEKT NR.		Zelchnung Überarbeitet: Eg00-0517-00			07.03.00	SR	SM
-		A2					



Kontaktanordnung  
 Contact arrangement  
 Ansicht Anschlussseite  
 view from termination side



Montageausschnitt  
 Panel cut-out for contact insert  
 bei Verwendung ohne Gehäuse  
 when used without housing



- Notes,
- ⚠ Material: insert, PBT  
UL-File Nr.: E4.1613(M)
  - ⚠ Finish: contact; Ag, Au

- Bemerkungen, ⓐ
- ⚠ Material: Einsatz: PBT  
UL-File Nr.: E4.1613(M)
  - ⚠ Oberfläche: Kontakte; Ag, Au

1	Stifteinsatz HVT.35 Crimp	⚠	dunkelgrau	1	-	
2-3	DESCRIPTION / BENENNUNG	MATERIAL	COLOR / FARBE	ITEM NO. POS.	REMARKS / BEMERKUNGEN	
HVT.35.Sti.C	<small>THIS DRAWING IS A CONTROLLED DOCUMENT FOR AMP INCORPORATED. IT IS SUBJECT TO CHANGE AND THE CONTROLLING ENGINEERING ORGANIZATION SHOULD BE CONTACTED FOR THE LATEST REVISIONS. OTHER TECHNICAL DRAWINGS AND DOCUMENTS WHICH INCORPORATE THIS DRAWING ARE SUBJECT TO CHANGE AND THE CONTROLLING ENGINEERING ORGANIZATION SHOULD BE CONTACTED FOR THE LATEST REVISIONS. DIMENSIONS: DIMENSIONEN: (mm) TOLERANCES UNLESS OTHERWISE SPECIFIED: ALLGEMEINTOLERANZEN n. ISO 2768 - mH - E n. DIN 16901 - 14.0</small>		<small>DWN 24.03.1999 Schneider</small> <small>CHK 24.03.1999 Schweiger</small>		<b>AMP</b> HTS Elektrotechnik 53819 Neunkirchen, Germany	
	<small>DIMENSIONS: DIMENSIONEN: (mm) TOLERANCES UNLESS OTHERWISE SPECIFIED: ALLGEMEINTOLERANZEN n. ISO 2768 - mH - E n. DIN 16901 - 14.0</small>		<small>PRODUCT SPEC PRODUKTSPEZ. APPLICATION SPEC VERANBEITUNGSPEZ.</small>		Male insert HVT.35.Sti.C Stifteinsatz HVT.35.Sti.C	
	MATERIAL	FINISH / WINKEL OBERFLÄCHE / FARBE	WEIGHT GEWICHT	SIZE A3	CAGE CODE 00779	DRAWING NO. ZEICHNUNGS-NR. 1104.012
CUSTOMER DRAWING			/KUNDENZEICHNUNG		SCALE MASSSTAB 1:1	SHEET BLATT 1 OF 1 REV. A2

AMP 1470-19 REV 27JUN96 This is a TRANSLATED file from ComputerVision, Inc., Medusa Revision 12.2.5T