

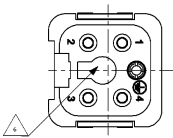
1	2	3
TECHNICAL AND EXPLANATORY VERTECHNISCHE UND ERKLÄRUNGS ZUSÄTZLICHE UNTERZUGRUNDLAGE ZEICHNUNG	REVISION FOR PUBLICATION REVISION FÜR VERÖFFENTLICHUNG REVISION FÜR VERÖFFENTLICHUNG	DATE WITH DATUM MIT FAZELLE 21
OPPOORTUINHEIT BIJZONDERE BY AMP INCORPORATED NIE MOEGER VERBODEN ALLE RECHTEN VOORBEHouden	HA.214	

REVISED		REVISIONS			
NO.	DATE	DESCRIPTION	DATE	BY	APP.
C1		PRINTING CORRECTED	ECR-06-021058	01.09.2006	SR SM
C2		ECR-10-000005		09FEB10	RK SRE

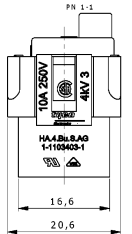
**NOTES**

- 1 CONTACT: 1 TO 4  
SUITABLE SCREW CONTACTS: SERIES HA.3  
OUTER DIMENSIONS OF INSULATION: MAX. Ø3,4 MM
- 2 GROUNDING CONTACT:  
SUITABLE SCREW CONTACTS: SERIES HA.4  
OUTER DIMENSIONS OF INSULATION: MAX. Ø3,4 MM
- 3 SUITABLE HOOD SIZE 1: SERIES HA; HD; EMV AND HIP
- 4 SUITABLE INSERTION AND EXTRACTION TOOL:  
SCREWDRIVER 2,0x65
- 5 STANDARDS:  
DIN EN 61984; DIN EN 60664-1
- 6 POLARIZATION RIPS
- 7 POS. 8 AND POS.9 PACKED SEPARATE IN POLY BAG
- 8 AUTHORIZATION: UL; CSA; VDE; SEV
- 9 PACKAGING:  
10 SETS IN A CARTON, PRE-MOUNTED

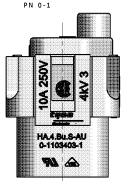
CONTACT ARRANGEMENT  
VIEW FROM CONNECTING SIDE



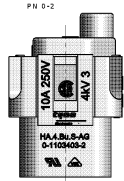
LATERAL PRINT  
PN 1-1



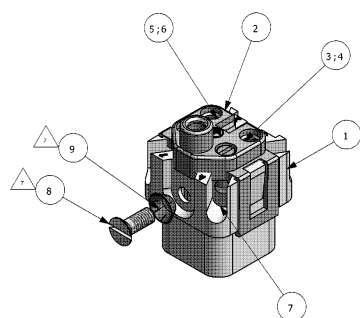
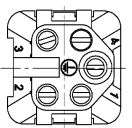
LATERAL PRINT  
PN 0-1



LATERAL PRINT  
PN 0-2



CONTACT ARRANGEMENT  
VIEW FROM TERMINATION SIDE



OBSOLETE

QTY	DESCRIPTION	MATERIAL	COLOR	SURFACE	ITEM	NOTES	
1	1 SPRING WASHER	STEEL		ZINK PLATED	9	V3.1	
1	1 SLOTTED COUNTER FLAT HEAD SCREW	STEEL		ZINK PLATED	8	M3x8	
5	5 SLOTTED CHEESE HEAD SCREW	BRASS		NICKEL PLATED	7	M3x5.5	
1	1 CONTACT SOCKET	BRASS		GOLD PLATED	6		
1	1 CONTACT SOCKET	BRASS		SILVER PLATED	5		
4	4 CONTACT SOCKET	BRASS		GOLD PLATED	4		
4	4 CONTACT SOCKET	BRASS		SILVER PLATED	3		
1	1 COVER	LEXAN	BEIGE		2		
1	1 MALE INSERT	LEXAN	BEIGE		1		
0-2	0-1 1-1	DESCRIPTION	MATERIAL	COLOR	SURFACE	ITEM	NOTES
HA.4.BU.S							
HA.4.BU.S-AU							

<p>REVISIONS</p> <p>NO. DATE DESCRIPTION</p> <p>1 29.07.1997 H. BRAUN</p> <p>2 29.07.1997 K. RAUER</p>		<p><b>Tyco Electronics</b></p> <p>Tyco / Emtronics AMP Gn 14 D - 53815 Neulandchen</p>	
<p>DESIGNATION: HA.4.BU.S</p> <p>SYMBOL: HA.4.BU.S</p> <p>UNIT WEIGHT: 0,0013 KG</p>		<p>APPARTENANCE: HA.4.BU.S</p> <p>DESCRIPTION: FEMALE INSERT</p> <p>ITEM: 1103403</p>	
<p>MATERIAL: HA.4.BU.S</p> <p>FINISH / BEHANDLEN / FINISCH: HA.4.BU.S</p>		<p>CUSTOMER DRAWING / KUNDENZICHNUNG: 1103403</p> <p>SCALE: 1:1</p> <p>DATE: 09FEB10</p> <p>BY: RK</p> <p>APP: SRE</p>	