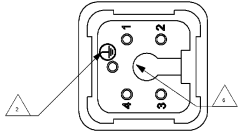


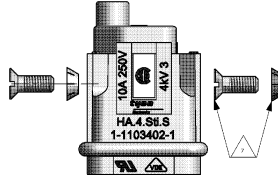
TYPE / BEZEL UND BEZELBEZEICHNUNG: KLEBHAAR FÜR PUBLIKATION: 2449 / HARTWITZ: PAGES 2/1 / HA.2/4
 NUTKÄLLEGE NUTTERBEZEICHNUNG / BEZELNUMMER: 11103402-1 / PART NUMBER (3-DIGIT): 11103402-1
 ÖZGÖRÜNTÜMÜŞÜ / MÜHÜRLEMEYİNGİ / BEZEL NUMERİ (2-DİĞİT): 11103402-1 / PART NUMBER (3-DIGIT): 11103402-1

REV.	DATE	REVISIONS	DATE	CHK.	APP.
AI	-	1	31.08.2006	SR	SM
DESCRIPTION	REVİZYONLAR				
	HA.2/4				
PROJEKT YERİ:	CS	PRINTING CORRECTED ECR-06-021058	31.08.2006	SR	SM

CONTACT ARRANGEMENT
VIEW FROM CONNECTING SIDE



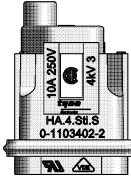
LATERAL PRINT
PN 1-1



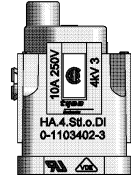
LATERAL PRINT
PN 0-1



LATERAL PRINT
PN 0-2



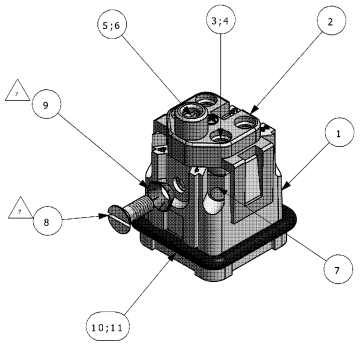
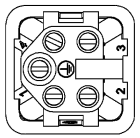
LATERAL PRINT
PN 0-3



NOTES

- CONTACT: 1 TO 4
SUITABLE SCREW CONTACTS: SERIES HA.3
OUTER DIMENSIONS OF INSULATION: MAX. Ø3,4 MM
- GROUNDING CONTACT:
SUITABLE SCREW CONTACTS: SERIES HA.4
OUTER DIMENSIONS OF INSULATION: MAX. Ø3,4 MM
- SUITABLE HOOD SIZE 1: SERIES HA; HD; EMV AND HIP
- SUITABLE INSERTION AND EXTRACTION TOOL:
SCREWDRIVER 2,0x65
- STANDARDS:
DIN EN 61984; DIN EN 60664-1
- POLARIZATION RIPS
- POS. 8 AND POS.9 PACKED SEPARATE IN POLY BAG
- AUTHORIZATION: UL; CSA; VDE; SEV
- PACKAGING:
10 SETS IN A CARTON, PRE-MOUNTED

CONTACT ARRANGEMENT
VIEW FROM TERMINATION SIDE



QTY	DESCRIPTION	MATERIAL	SURFACE	COLOR	ITEM	NOTES			
1	1	PROFILE SEAL	NEOPRENE		BLACK 11	CONDUCTIV			
1	1	PROFILE SEAL	NEOPRENE		BLACK 10				
1	1	1	SPRING WASHER	STEEL	ZINK PLATED	9 VS.2			
1	1	1	SLOTTED COUNTER FLAT HEAD SCREW	STEEL	ZINK PLATED	8 WS48			
5	5	5	SLOTTED CHEESE HEAD SCREW	BRASS	NICKEL PLATED	7 WS45.5			
1	1	1	HARTING CONTACT PIN WITH ANGLE	BRASS	GOLD PLATED	6			
1	1	1	HARTING CONTACT SOCKET WITH ANGLE	BRASS	SILVER PLATED	5			
4	4	4	CONTACT SOCKET	BRASS	GOLD PLATED	4			
4	4	4	CONTACT SOCKET	BRASS	SILVER PLATED	3			
1	1	1	1	COVER	PC	BEISE 2			
1	1	1	1	MALE INSERT	PC	BEISE 1			
0-3	0-3	0-3	1-1	DESCRIPTION	MATERIAL	SURFACE	COLOR	ITEM	NOTES
				HA.4.SI.S					
				HA.4.SI.S-AU					
				HA.4.SI.S					

HA.4.SI.S-DI	DATE: 29.07.1997	DESIGNER: H. BRAUN	DATE: 29.07.1997
HA.4.SI.S-AU		DATE: 29.07.1997	
HA.4.SI.S			
DIMENSIONS:		ORDER NUMBER: 108-74010 ORDER REFERENCE: 114-74010	PART NUMBER: 1103402 MANUFACTURER: tyco electronics
MATERIAL:		PRODUCT: HA.4.SI.S DESCRIPTION: MALE INSERT	CASE CODE: 1103402 CASE WEIGHT: 0,0012 KG CASE HEIGHT: A2
MATERIAL:		CUSTOMER DRAWING / KUNDENZECHNUNG: 1103402	DATE: 31.08.2006 CHECKED BY: SR DRAWN BY: SM