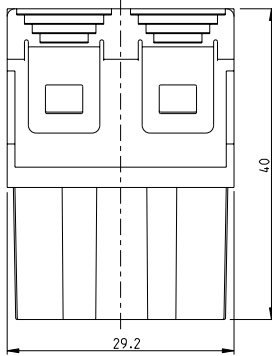
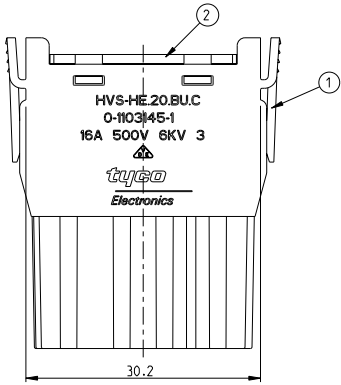
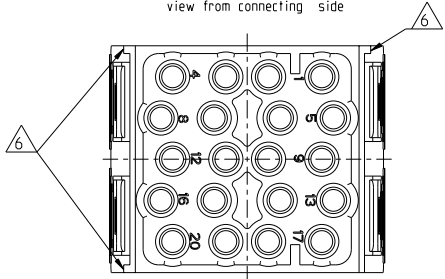


THIS DRAWING IS UNPUBLISHED. RELEASED FOR PUBLICATION 2000
 © COPYRIGHT 2000 BY TYCO ELECTRONICS CORPORATION. ALL INTERNATIONAL RIGHTS RESERVED.

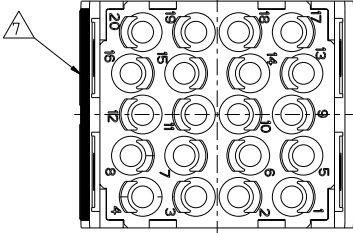
LOC	DIST	REVISIONS			
P	LTR	DESCRIPTION	DATE	DNW	APVD
A5		RELEASED AS PER ECR-09-010234	6-May-09	CJ	TS
B1		ECR-10-015645	27 JUL 2010	SR	OH

PN 0-1 As Shown

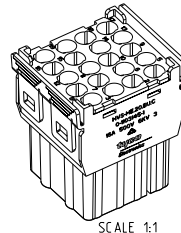
Contact arrangement
view from connecting side



Contact arrangement
view from termination side



PN 0-1 As Shown



- NOTES
- SUITABLE CRIMP CONTACTS: SERIES HE/HA
CUSTOMER DRAWING: 1105101
OUTER DIMENSIONS OF INSULATION: MAX. Ø4.9mm
 - SUITABLE MODULE FIXING FRAME: SERIES HVS SIZE 3 TO 8
CUSTOMER DRAWING: 1103250
 - SUITABLE INSERTION TOOL:
CUSTOMER DRAWING: 0-1102855-6
 - SUITABLE EXTRACTION TOOL:
CUSTOMER DRAWING: 0-1102855-7
 - STANDARDS:
DIN EN 61984; DIN EN 60664-1
 - POLARIZATION RIPS
 - MARKING OF POLARIZATION ACCORDING TO MARKING OF
MODULE FRAME
 - PACKAGING:
10 SETS IN A CARTON, PRE-MOUNTED

QTY	DESCRIPTION	MATERIAL	COLOR	ITEM
1	FEMALE INSERT	PC-GF20	LIGHT GREY	2
1	COVER	PC-GF20	LIGHT GREY	1
	HVS-HE.20.Bu.C			

DIMENSIONS: mm 		TOLERANCES UNLESS OTHERWISE SPECIFIED: 0 DIM 0.05 mm-L 1 PLC ± 2 PLC ± 3 PLC ± 4 P.C.C. ± ANGLES ±0°		DWN 31.08.2008 M.SCHWEIGER CHK T.SCHNURPFIL APVD - PRODUCT SPEC 108-74073 APPLICATION SPEC 114-74073 WEIGHT - CUSTOMER DRAWING	NAME SIZE CAGE CODE DRAWING NO A3 00779 C-1103145 RESTRICTED TO
MATERIAL 		FINISH 		Tyco Electronics AMP GmbH 53757 Sankt Augustin, Germany FEMALE INSERT HVS-HE.20.BU.C	
SCALE 2:1			SHEET 1 OF 1 REV B1		