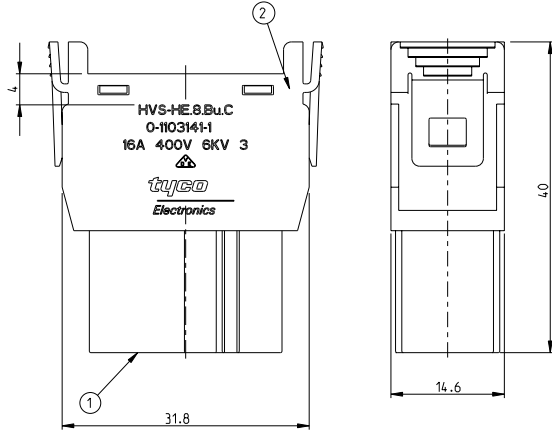
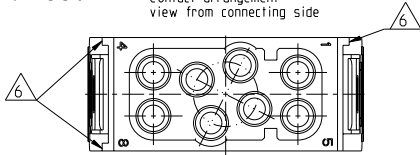


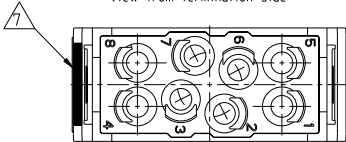
THIS DRAWING IS UNPUBLISHED. RELEASED FOR PUBLICATION 2000
 © COPYRIGHT 2000 BY TYCO ELECTRONICS CORPORATION. ALL RIGHTS RESERVED.

LOC	DIST	REVISIONS			
P	LTR	DESCRIPTION	DATE	DWN	APVD
B1		ECR-10-022648	02NOV2010	SR	QH

PN 0-1 As Shown
 Contact arrangement
 view from connecting side

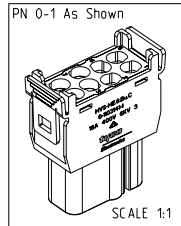


Contact arrangement
 view from termination side



NOTES

- SUITABLE CRIMP CONTACTS: SERIES HE/HA
 CUSTOMER DRAWING: 1105101
 OUTER DIMENSIONS OF INSULATION: MAX. Ø.9mm
- SUITABLE MODULE FIXING FRAME: SERIES HVS SIZE 3 TO 8
 CUSTOMER DRAWING: 1103250
- SUITABLE INSERTION TOOL:
 CUSTOMER DRAWING: 0-1102855-6
- SUITABLE EXTRACTION TOOL:
 CUSTOMER DRAWING: 0-1102855-7
- STANDARDS:
 DIN EN 61984; DIN EN 60664-1
- POLARIZATION RIPS
- MARKING OF POLARIZATION ACCORDING TO MARKING OF MODULE FRAME
- PACKAGING:
 10 SETS IN A CARTON. PRE-MOUNTED



QTY	DESCRIPTION	MATERIAL	COLOR	ITEM NO
1	FEMALE INSERT HVS-HE.8	PC-GF20	LIGHT GREY	1
1	COVER FOR FEMALE INSERT	PC-GF20	LIGHT GREY	2
PN 0-1 / HVS-HE.8.BU.C				

<small>THIS DRAWING IS A CONTROLLED DOCUMENT FOR TYCO ELECTRONICS CORPORATION IT IS SUBJECT TO CHANGE AND THE CONTROLLING ENGINEERING ORGANIZATION SHOULD BE CONTACTED FOR THE LATEST REVISION.</small>		DWN 24.08.2005 M.SCHWEIGER CHK 23.08.2005 T.SCHNURPFEL APVD	Tyco Electronics AMP GmbH 53757 Sankt Augustin, Germany
DIMENSIONS: mm 	TOLERANCES UNLESS OTHERWISE SPECIFIED: DIM 0 ±0.15 DIM 0.15-2.50 ±0.10 DIM 2.50-10 ±0.15 DIM 10-250 ±0.20 DIM 250-1000 ±0.30 ANGLES ±	PRODUCT SPEC 108-74073 APPLICATION SPEC 114-74073 WEIGHT	NAME FEMALE INSERT ASSY HVS-HE.8.BU.C SIZE CAGE CODE DRAWING NO A3 00779 C-1103141 RESTRICTED TO
MATERIAL	FINISH	CUSTOMER DRAWING	SCALE 2:1 SHEET 1 OF 1 REV B1

AMP 1470-19 REV 31MAR2000

Pro/ENGINEER DRAWING