

4

3

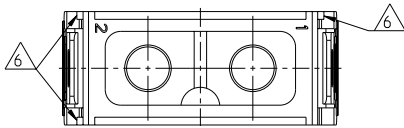
2

1

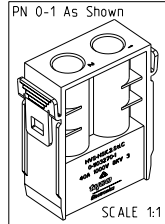
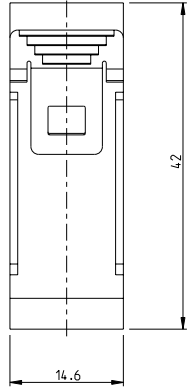
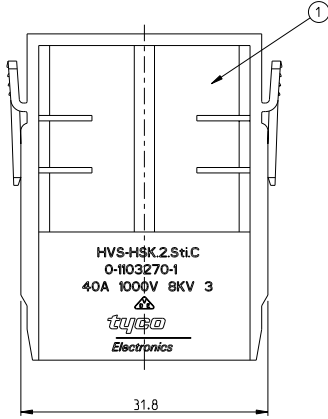
THIS DRAWING IS UNPUBLISHED. RELEASED FOR PUBLICATION 2000  
 © COPYRIGHT 2000 BY TYCO ELECTRONICS CORPORATION. ALL RIGHTS RESERVED.

LOC	DIST	REVISIONS			
P	LTR	DESCRIPTION	DATE	DWN	APVD
C1		ECR-10-023156	11NOV2010	SR	OH

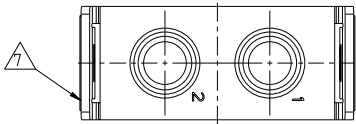
PN 0-1 As Shown Contact arrangement view from connecting side



- NOTES
- SUITABLE CRIMP CONTACTS: SERIES HSK  
CUSTOMER DRAWING: 1108757  
OUTER DIMENSIONS OF INSULATION: MAX. Ø8mm
  - SUITABLE MODULE FIXING FRAME: SERIES HVS SIZE 3 TO 8  
CUSTOMER DRAWING: 1103250
  - SUITABLE INSERTION TOOL:  
CUSTOMER DRAWING: 1102855
  - SUITABLE EXTRACTION TOOL:  
CUSTOMER DRAWING: 1102855
  - STANDARDS:  
DIN EN 61984; DIN EN 60664-1
  - POLARIZATION RIPS
  - MARKING OF POLARIZATION ACCORDING TO MARKING OF MODULE FRAME
  - PACKAGING:  
10 PIECES IN A CARTON



Contact arrangement view from termination side



1	MALE INSERT	PC-GF20	LIGHT GREY	1
QTY	DESCRIPTION	MATERIAL	COLOR	ITEM NO
	PN 0-1 / HVS-HSK.2.Sti.C			

THIS DRAWING IS A CONTROLLED DOCUMENT FOR TYCO ELECTRONICS CORPORATION IT IS SUBJECT TO CHANGE AND THE CONTROLLING ENGINEERING ORGANIZATION SHOULD BE CONTACTED FOR THE LATEST REVISION.		OWN 20.02.2006
DIMENSIONS: mm		CHK SCHNEIDER 20.02.2006
TOLERANCES UNLESS OTHERWISE SPECIFIED: 0 DIM ±0.10 1 DIM ±0.15 2 DIM ±0.20 3 DIM ±0.25 4 DIM ±0.30		APVD A.GAST 20.02.2006
MATERIAL		PRODUCT SPEC 108-74081
FINISH		APPLICATION SPEC 114-74083
CUSTOMER DRAWING		WEIGHT

Tyco Electronics Tyco Electronics AMP GmbH 53757 Sankt Augustin, Germany			
NAME MALE INSERT HVS-HSK.2.STI.C			
SIZE A3	CAGE CODE 00779	DRAWING NO C-1103270	RESTRICTED TO
SCALE 2:1		SHEET 1 OF 1	REV C1