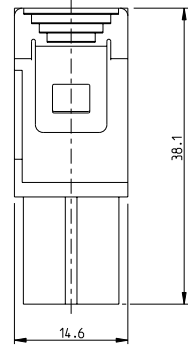
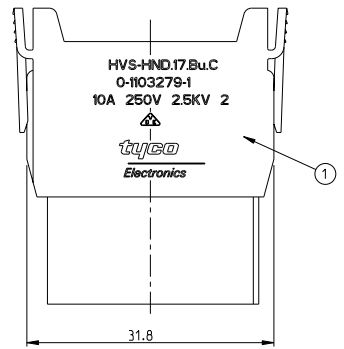
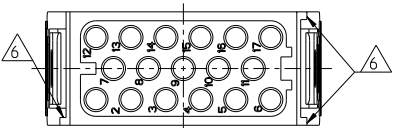


THIS DRAWING IS UNPUBLISHED. RELEASED FOR PUBLICATION 2000  
 © COPYRIGHT 2000 BY TYCO ELECTRONICS CORPORATION. ALL RIGHTS RESERVED.

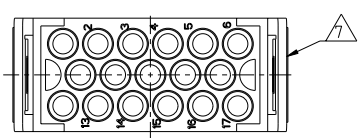
LOC	DIST	REVISIONS			
P	LTR	DESCRIPTION	DATE	DRN	APVD
B1		ECR-10-021590	26.10.2010	SR	OH

PN 0-1 As Shown

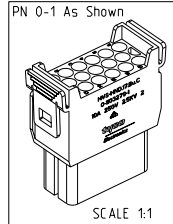
Contact arrangement  
view from connecting side



Contact arrangement  
view from termination side



- NOTES
- SUITABLE CRIMP CONTACTS: SERIES HN.D  
CUSTOMER DRAWING: 1105050  
OUTER DIMENSIONS OF INSULATION: MAX. Ø4mm
  - SUITABLE MODULE FIXING FRAME: SERIES HVS SIZE 3 TO 8  
CUSTOMER DRAWING: 1102850
  - SUITABLE INSERTION TOOL:  
CUSTOMER DRAWING: 1102855
  - SUITABLE EXTRACTION TOOL:  
CUSTOMER DRAWING: 1102855
  - STANDARDS:  
DIN EN 61984; DIN EN 60664-1
  - POLARIZATION RIPS
  - MARKING OF POLARIZATION ACCORDING TO MARKING OF  
MODULE FRAME
  - PACKAGING:  
10 SETS IN A CARTON. PRE-MOUNTED



QTY	DESCRIPTION	MATERIAL	COLOR	ITEM NO
1	FEMALE INSERT	PC-GF20	LIGHT GREY	21

PN 0-1 / HVS-HN.D.17.Bu.C

<small>THIS DRAWING IS A CONTROLLED DOCUMENT FOR TYCO ELECTRONICS CORPORATION IT IS SUBJECT TO CHANGE AND THE CONTROLLING ENGINEERING ORGANIZATION SHOULD BE CONTACTED FOR THE LATEST REVISION.</small>		DWN 20.02.2006 SCHNEIDER	<b>Tyco Electronics</b> Tyco Electronics AMP GmbH 53757 Sankt Augustin, Germany
DIMENSIONS: mm		CHK 20.02.2006 A.GAST	
TOLERANCES UNLESS OTHERWISE SPECIFIED: 0 DIM 100 ±0.100 mm±0.1 1 PLC ± 2 PLC ± 3 PLC ± 4 PLC ± AMEES ±		APVD 20.02.2006 T.SCHNURPFEL	NAME <b>FEMALE INSERT HVS-HND.17.BU.C</b>
MATERIAL		PRODUCT SPEC 108-74083	
FINISH		APPLICATION SPEC 114-74085	SIZE CAGE CODE DRAWING NO A3 00779 C-1103279
RESTRICTED TO		WEIGHT	CUSTOMER DRAWING
SCALE 2:1		SHEET 1 OF 1	REV B1