

VC-MP-A4

Order No.: 1884432

The illustration shows version VC-MP-A3



<http://eshop.phoenixcontact.de/phoenix/treeViewClick.do?UID=1884432>

Panel mounting base, made of metal, powder-coated type 4, number of modules 5, cable screw connection Pg21

Commercial data	
EAN	4017918164461
Pack	5 pcs.
Customs tariff	85389099
Weight/Piece	0.56979 KG
Catalog page information	Page 370 (PC-2009)

Product notes

WEEE/RoHS-compliant since:
11/08/2006



<http://www.download.phoenixcontact.com>
Please note that the data given here has been taken from the online catalog. For comprehensive information and data, please refer to the user documentation. The General Terms and Conditions of Use apply to Internet downloads.

Technical data**General characteristics**

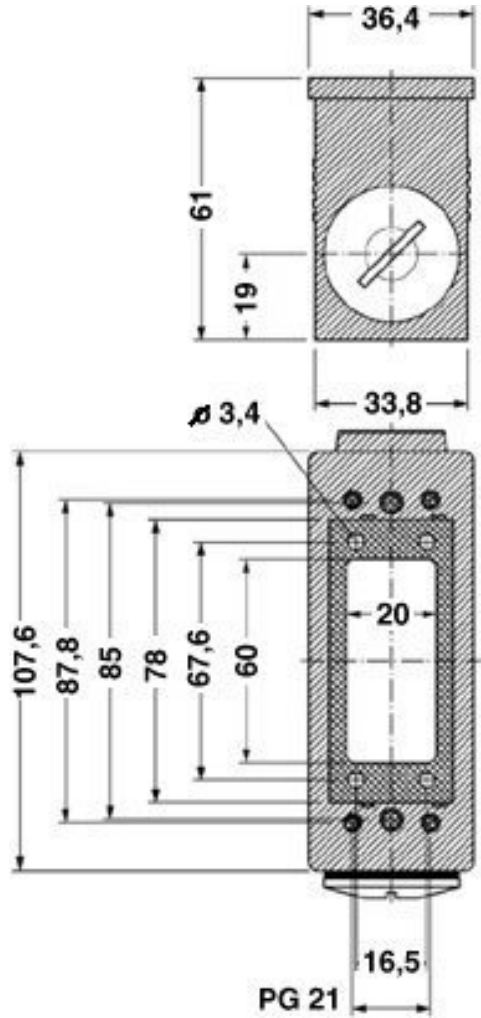
Note	When using fiber optics, the bending radii of the cable manufacturers must be observed.
Design	VC4
Degree of protection	IP65/IP66/IP67
Type of the screw connection	1x Pg21
Pg screw connection	None
Height	61 mm
Number of module slots	5
Housing material	Zinc die-cast
Housing surface material	Powder coating
Seal material	EPDM
Ambient temperature (operation)	-40 °C ... 125 °C

Accessories

Item	Designation	Description
1852875	VC-BZS WH	Marker labels, unprinted, 5-section, for individual labeling with M-PEN or CMS system, white

Diagrams/Drawings

Dimensioned drawing



Address

PHOENIX CONTACT Deutschland GmbH
Flachsmarktstr. 8
32825 Blomberg, Germany
Phone +49 5235 3 12000
Fax +49 5235 3 41200
<http://www.phoenixcontact.de>



© 2010 Phoenix Contact
Technical modifications reserved;