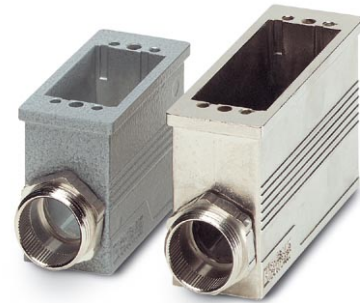


VC-MEMV-S1

Order No.: 1884649

The illustration shows versions, powder-coated and EMC-coated box mounting base




<http://eshop.phoenixcontact.de/phoenix/treeViewClick.do?UID=1884649>

Box mounting base, made of metal, EMC-coated type 1, number of modules 2, cable screw connection Pg16

Commercial data	
EAN	4017918164676
Pack	5 pcs.
Customs tariff	85369010
Weight/Piece	0.37032 KG
Catalog page information	Page 371 (PC-2009)

Product notes

WEEE/RoHS-compliant since:
11/08/2006



<http://www.download.phoenixcontact.com>
Please note that the data given here has been taken from the online catalog. For comprehensive information and data, please refer to the user documentation. The General Terms and Conditions of Use apply to Internet downloads.

Technical data	
General characteristics	
Note	When using fiber optics, the bending radii of the cable manufacturers must be observed.
Design	VC1
Degree of protection	IP65/IP66/IP67
Type of the screw connection	Pg16
Pg screw connection	None

Height	49 mm
Number of module slots	2
Housing material	Zinc die-cast
Housing surface material	Nickel-plated
Seal material	EPDM, conductive
Ambient temperature (operation)	-40 °C ... 125 °C

Certificates / Approvals



Certification GOST

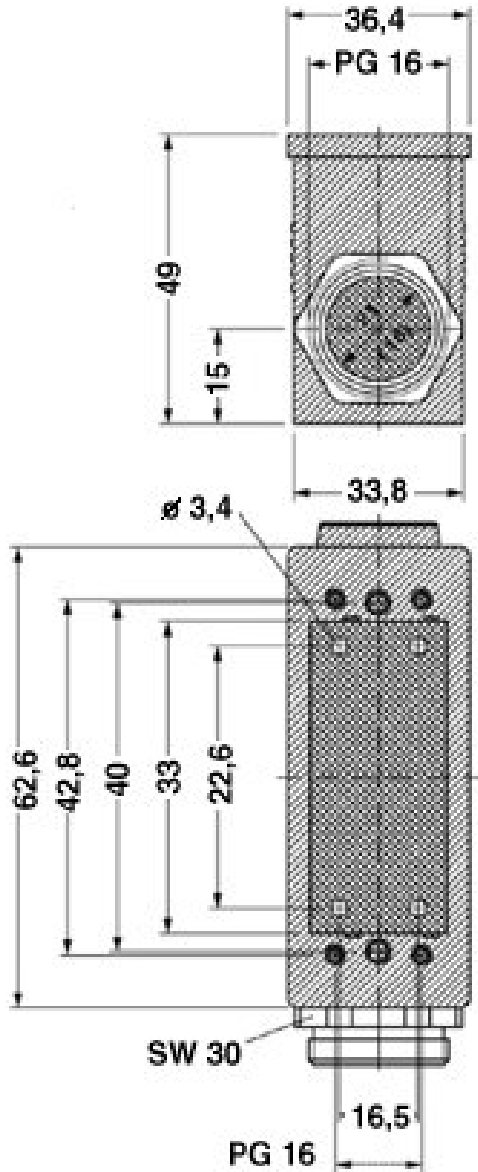
Accessories

Item	Designation	Description
General		
1885460	VC-M-KV-PG16 1X3/1X9	Multiple screw connection Pg16, made of metal, consisting of rubber seal with several holes (1 x 3 mm/1 x 9 mm) and a pressure screw, for cable screw connection thread VC-M-KV-PG16.....
1885499	VC-M-KV-PG16 1X3/2X8	Multiple screw connection Pg16, made of metal, consisting of rubber seal with several holes (1 x 3 mm/2 x 8 mm) and a pressure screw, for cable screw connection support VC-M-KV-PG16.....
1885509	VC-M-KV-PG16 1X5/2X6	Multiple screw connection Pg16, made of metal, consisting of rubber seal with several holes (1 x 5 mm/2 x 6 mm) and a pressure screw, for cable screw connection support VC-M-KV-PG16.....
1885473	VC-M-KV-PG16 1X6/1X8	Multiple screw connection Pg16, made of metal, consisting of rubber seal with several holes (1 x 6 mm/1 x 8 mm) and a pressure screw, for cable screw connection support VC-M-KV-PG16.....
1885473	VC-M-KV-PG16 1X6/1X8	Multiple screw connection Pg16, made of metal, consisting of rubber seal with several holes (1 x 6 mm/1 x 8 mm) and a pressure screw, for cable screw connection support VC-M-KV-PG16.....
1885512	VC-M-KV-PG16 2X6/1X7	Multiple screw connection Pg16, made of metal, consisting of rubber seal with several holes (2 x 6 mm/1 x 7 mm) and a pressure screw, for cable screw connection support VC-M-KV-PG16.....

1885525	VC-M-KV-PG16 3X7	Multiple screw connection Pg16, made of metal, consisting of rubber seal with several holes (3 x 7 mm) and a pressure screw, for cable screw connection support VC-M-KV-PG16.....
1853942	VC-M-KV-PG16(4- 6,5)	Half screw connection Pg16, made of metal, consisting of rubber seal with one hole and one pressure screw, for type 1 housings, cable [mm] 4 - 6.5
1853955	VC-M-KV-PG16(5- 8)	Half screw connection Pg16, made of metal, consisting of rubber seal with one hole and one pressure screw, for type 1 housings, cable [mm] 5 - 8
1853968	VC-M-KV-PG16(6,5- 9,5)	Half screw connection Pg16, made of metal, consisting of rubber seal with one hole and one pressure screw, for type 1 housings, cable [mm] 6.5 - 9.5
1853971	VC-M-KV-PG16(7-10,5)	Half screw connection Pg16, made of metal, consisting of rubber seal with one hole and one pressure screw, for type 1 housings, cable [mm] 7 - 10.5
1853984	VC-M-KV-PG16(9-13)	Half screw connection Pg16, made of metal, consisting of rubber seal with one hole and one pressure screw, for type 1 housings, cable [mm] 9 - 13
1854857	VC-M-KV-PG16(11,5-15,5)	Half screw connection Pg16, made of metal, consisting of rubber seal with one hole and one pressure screw, for type 1 housings, cable [mm] 11.5 - 15.5
1854857	VC-M-KV-PG16(11,5-15,5)	Half screw connection Pg16, made of metal, consisting of rubber seal with one hole and one pressure screw, for type 1 housings, cable [mm] 11.5 - 15.5

Diagrams/Drawings

Dimensioned drawing



Address

PHOENIX CONTACT Deutschland GmbH
Flachsmarktstr. 8
32825 Blomberg, Germany
Phone +49 5235 3 12000
Fax +49 5235 3 41200
<http://www.phoenixcontact.de>



© 2010 Phoenix Contact
Technical modifications reserved;