

VC-K-T3-Z

Order No.: 1852956

<http://eshop.phoenixcontact.de/phoenix/treeViewClick.do?UID=1852956>

Plastic sleeve housing, locking screws with cylindrical head, type 3,
cable screw connection Pg21

Commercial data	
EAN	4017918127282
Pack	5 pcs.
Customs tariff	85472000
Weight/Piece	0.06813 KG
Catalog page information	Page 368 (PC-2009)

Product notes

WEEE/RoHS-compliant since:
12/15/2005



<http://www.download.phoenixcontact.com>
Please note that the data given here has been taken from the online catalog. For comprehensive information and data, please refer to the user documentation. The General Terms and Conditions of Use apply to Internet downloads.

Technical data**General characteristics**

Note	When using fiber optics, the bending radii of the cable manufacturers must be observed.
Design	VC3
Degree of protection	IP67
Inflammability class acc. to UL 94	V0
Type of the screw connection	Pg21
Pg screw connection	None
Height	75 mm
Cable exit	Lateral
Housing material	PA
Housing surface material	Polyamide
Seal material	EPDM
Ambient temperature (operation)	-40 °C ... 80 °C

Certificates / Approvals

Certification

CUL, GOST, UL

Accessories

Item	Designation	Description
Assembly		
1885363	VC-K-KV-PG21-O	Half screw connection made of plastic with rubber seal without hole or for individual holes

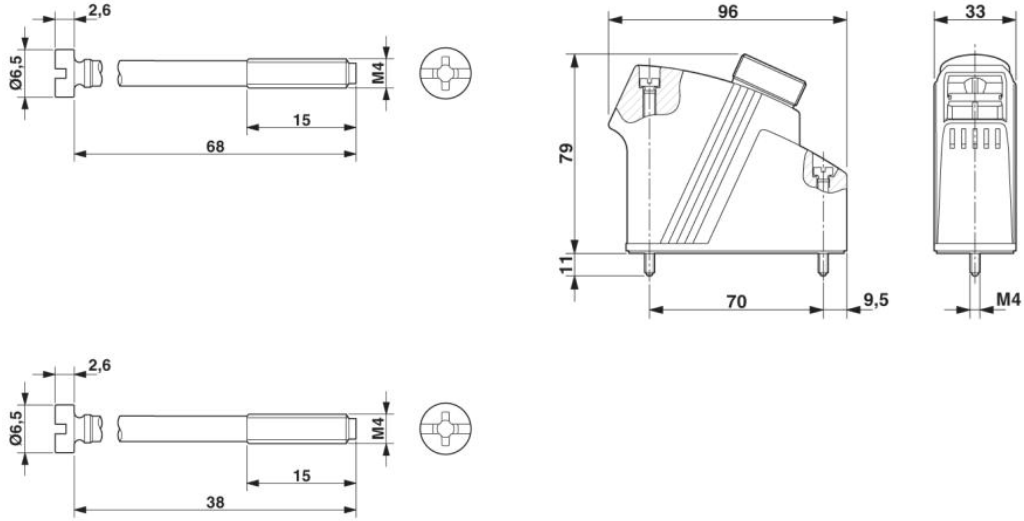
General

1885538	VC-K-KV-PG21 1X6/2X9	Half screw connection Pg21, made of plastic, consisting of rubber seal with several holes (1 x 6 mm/2 x 9 mm) and a pressure screw, for cable screw connection support VC-M-KV-PG21.....
1885554	VC-K-KV-PG21 2X6/2X8	Half screw connection Pg21, made of plastic, consisting of rubber seal with several holes (2 x 6 mm/2 x 8 mm) and a pressure screw, for cable screw connection support VC-M-KV-PG21.....

1885567	VC-K-KV-PG21 2X7,2/1X10,5	Half screw connection Pg21, made of plastic, consisting of rubber seal with several holes (2 x 7.2 mm/2 x 10.5 mm) and a pressure screw, for cable screw connection thread VC-M-KV-PG21.....
1885570	VC-K-KV-PG21 3X7	Half screw connection Pg21, made of plastic, consisting of rubber seal with several holes (3 x 7 mm) and one pressure screw, for cable screw connection support VC-M-KV-PG21.....
1885583	VC-K-KV-PG21 3X9	Half screw connection Pg21, made of plastic, consisting of rubber seal with several holes (3 x 9 mm) and one pressure screw, for cable screw connection support VC-M-KV-PG21.....
1885596	VC-K-KV-PG21 4X6,5	Half screw connection Pg21, made of plastic, consisting of rubber seal with several holes (4 x 6.5 mm) and one pressure screw, for cable screw connection support VC-M-KV-PG21.....
1885606	VC-K-KV-PG21 4X8	Half screw connection Pg21, made of plastic, consisting of rubber seal with several holes (4 x 8 mm) and one pressure screw, for type 2 - 4 housings
1853890	VC-K-KV-PG21(7-10,5)	Half screw connection Pg21, made of plastic, consisting of rubber seal with one hole and one pressure screw, for type 2 - 4 housings, cable [mm] 7.5 - 10.5
1853900	VC-K-KV-PG21(9-13)	Half screw connection Pg21, made of plastic, consisting of rubber seal with one hole and one pressure screw, for type 2 - 4 housings, cable [mm] 9 - 13
1853913	VC-K-KV-PG21(11,5-15,5)	Half screw connection Pg21, made of plastic, consisting of rubber seal with one hole and one pressure screw, for type 2 - 4 housings, cable [mm] 11.5 - 15.5
1853926	VC-K-KV-PG21(14-18)	Half screw connection Pg21, made of plastic, consisting of rubber seal with one hole and one pressure screw, for type 2 - 4 housings, cable [mm] 14 - 18
1853939	VC-K-KV-PG21(17-20,5)	Half screw connection Pg21, made of plastic, consisting of rubber seal with one hole and one pressure screw, for type 2 - 4 housings, cable [mm] 17 - 20.5
1885198	VC-K-KV-PG21(20X7)	Half screw connection Pg21, made of plastic, consisting of rubber seal with one elongated hole and one pressure screw, for type 2 - 4 housings, cable diameter: 20 x 7 mm
1885279	VC-K-KV-PG21-1X8,5/1X12	Half screw connection Pg21, made of plastic, consisting of rubber seal with several holes (1 x 8.5 mm/1 x 12 mm) and a pressure screw, for cable screw connection thread VC-M-KV-PG21.....
1885282	VC-K-KV-PG21-2X4,5/1X13	Half screw connection Pg21, made of plastic, consisting of rubber seal with several holes (2 x 4.5 mm/1 x 13 mm) and a pressure screw, for cable screw connection thread VC-M-KV-PG21.....
1644397	VC-M-KV-PG21/M32 ST	Cable screw connection supports for Pg21 half screw connection to M32 housing entry, metal
Marking		
1852875	VC-BZS WH	Marker labels, unprinted, 5-section, for individual labeling with M-PEN or CMS system, white

Diagrams/Drawings

Dimensioned drawing



Address

PHOENIX CONTACT Inc., USA
586 Fulling Mill Road
Middletown, PA 17057, USA
Phone (800) 888-7388
Fax (717) 944-1625
<http://www.phoenixcon.com>



© 2010 Phoenix Contact
Technical modifications reserved;