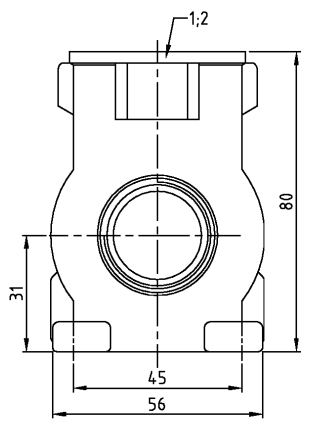
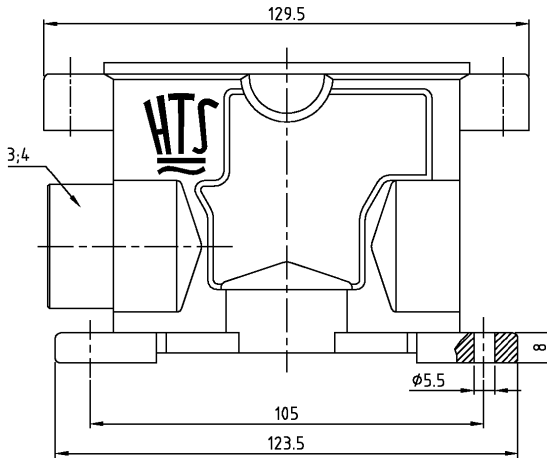
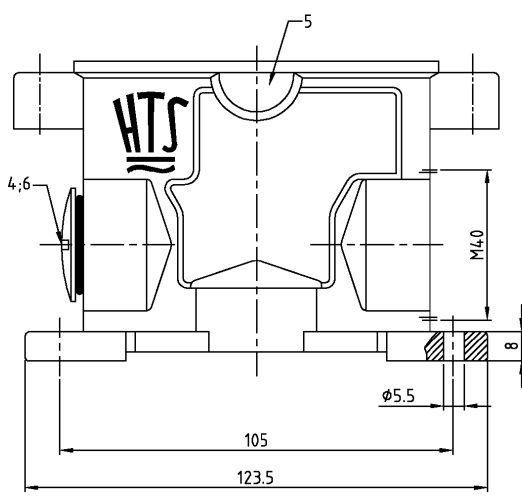


THIS DRAWING IS UNPUBLISHED.
VERTRAULICHE UNVERÖFFENTLICHTE ZEICHNUNG
© COPYRIGHT 1994
RELEASED FOR PUBLICATION
FRIE PUBLIK VERÖFFENTLICHUNG
BY AMP INCORPORATED. ALL RIGHTS RESERVED.
ALLE RECHTE VORBEHALTEN

MATED WITH:
PASSEND ZU
BG6

LOC	DIST	REVISIONS ÄNDERUNGEN			DATE	DWR	APVD
A1	-	P	LTR	DESCRIPTION BESCHREIBUNG			
PROJEKT NR.		A3		PN 0-1 neu; EGD0-0019-03 PN new	28.07.03	SR	SM



Bemerkungen:

- ⚠ Material: Gehäuse: Alu-Druckguß-Legierung
- ⚠ Oberfläche: Lackierung - Aluminiumoxid + Lackierung schwarz - grau
- ⚠ Lackierung im Gehäuseinnere ist nicht notwendig

Notes:

- ⚠ Material: Housing: aluminium diecasting alloy
- ⚠ Surface: Varnish- aluminium oxid + varnish black - grey
- ⚠ Varnish on the inside not necessarily

QTY	DESCRIPTION / BENENNUNG	MATERIAL	SURFACE / OBERFLÄCHE	COLOR / FARBE	ITEM NO. / POS.	REMARKS / BEMERKUNGEN
1	MS-Blindstopfen/blanking piece	Messing/brass	vernickelt/nickel plated	blau/blue	6	PG21
1	Socketgehäuse HIP / surface mounted housing side entry	Aluminium/ALU		grau/grey	5	PG21 + M4.0
1	O-Ring /o-ring	Neoprene		black/schwarz	4	PG21
1	Adapter EMV-K/adapter	Aluminium/ALU	gelb chromatiert	black/schwarz	3	PG21/PG21
1	Socketgehäuse HIP-K / surface mounted housing side entry	Aluminium/ALU	Aluminiumoxid	black/schwarz	2	
1	Socketgehäuse HIP / surface mounted housing side entry	Aluminium/ALU		grau/grey	1	

0-1	5-5	2-1	5-1	5		
-----	-----	-----	-----	---	--	--

<p>THE DRAWING IS A CONTROL DOCUMENT FOR THE MANUFACTURE OF THE PRODUCT. IT IS SUBJECT TO CHANGE AND THE CONTROLLING ENGINEERING ORGANIZATION SHOULD BE CONTACTED FOR THE LATEST REVISIONS. OTHER DOCUMENTS SHOULD NOT BE USED FOR MANUFACTURE WITHOUT THE APPROVAL OF THE TECHNICAL PORTFOLIO GROUP, AND VENDORIAL USE OF THIS LETTER IS PROHIBITED AND CONSIDERED AS A VIOLATION OF THE TERMS OF THE AGREEMENT AND OF THE SUPPLY AGREEMENT.</p> <p>DIMENSIONS: DIMENSIONEN: mm</p> <p>TOLERANCES UNLESS OTHERWISE SPECIFIED: ALLGEMEINTOLERANZEN</p> <p>0: ISO 2768 - mH - E 1: ISO 2768 - mH - E 2: DIN 16901 - 14.0</p> <p>ANGLES / WINKEL</p> <p>FINISH / OBERFLÄCHE / FARBE</p>	<p>DWN Schneider 18.06.99</p> <p>CHK Schweiger 18.06.99</p> <p>APVD -</p> <p>PRODUCT SPEC / PRODUKTSPEZ.</p> <p>APPLICATION SPEC / VERARBEITUNGSSPEZ.</p> <p>WEIGHT / GEWICHT -</p> <p>CUSTOMER DRAWING / KUNDENZEICHNUNG</p>	<p>AMP</p> <p>HTS Elektrotechnik 53819 Neunkirchen, Germany</p> <p>Surface mounted housing side entry Sockelgehäuse HIP/HIP-K.16/4.0.SG.1.21</p> <p>SIZE A3 CAGE CODE 00779 DRAWING NO. 1102616</p> <p>RESTRICTED TO NUR FUER</p>
---	---	---