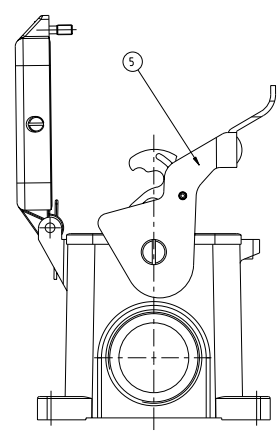
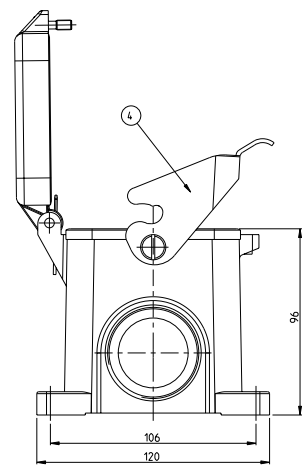
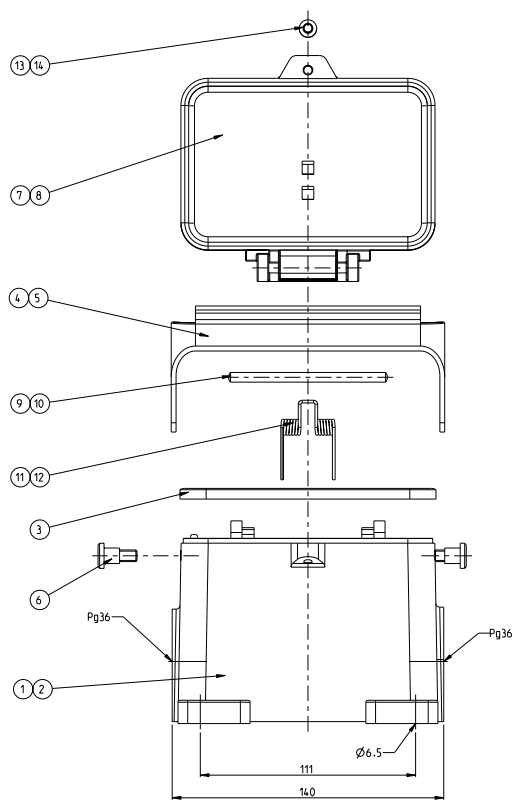


REVISED		REVISIONS			
NO.	DATE	DESCRIPTION	BY	CHK	APP
A3	-	NEW PRO-E DRAWING / ECR-09-003111	SPH2009	SR	AR



- NOTES
- PART SHALL BE FREE AND CLEAN OF BURRS AND OTHER FOREIGN MATERIAL
 - PACKAGING: QUANTITY 3 PIECES
 - VARNISHING INSIDE HOUSING NOT REQUIRED

QTY	DESCRIPTION	MATERIAL	SURFACE	COLOR	ITEM	NOTES
2	CLIP BOLT	STAINLESS STEEL	BLANC		15	
1	CYLINDER SCREW	STAINLESS STEEL	BLANC		14	M5x16
1	CYLINDER SCREW	STEEL	ZINC PLATED	BLUE	13	M5x16
1	LEG SPRING	STAINLESS STEEL	BLANC		12	
1	LEG SPRING	STEEL	ZINC PLATED	BLUE	11	
1	RIVET PIN	STAINLESS STEEL	BLANC		10	5x80
1	RIVET PIN	STEEL	ZINC PLATED	BLUE	9	5x80
1	COVER	ALUMINIUM	ALUMINIUM OXID	BLACK	8	
1	COVER	ALUMINIUM		GREY	7	
2	SLOTTED PAN HEAD SCREW	STAINLESS STEEL	BLANC		6	M6x8
1	SIDE CLIP	STAINLESS STEEL	BLANC		5	
1	SIDE CLIP	STEEL	ZINC PLATED	BLUE	4	
1	PROFIL SEAL	NEOPRENE		BLACK	3	
1	SURFACE MOUNTED HOUSING SIDE ENTRY	ALUMINIUM	ALUMINIUM OXID	BLACK	2	
1	SURFACE MOUNTED HOUSING SIDE ENTRY	ALUMINIUM		GREY	1	
2-2	DESCRIPTION	MATERIAL	SURFACE	COLOR	ITEM	NOTES

HB-K.4B.SGD-LB.2.36-Z

DATE: 09/09/2009	BY: PIERRE ELECTRONICS CORPORATION	APP: PIERRE ELECTRONICS CORPORATION
PROJECT: SURFACE MOUNTED HOUSING SIDE ENTRY	ITEM: HB-K.4B.SGD-LB.2.36-Z	SCALE: 1:1
STATE: A	DATE: 09/09/2009	BY: PIERRE ELECTRONICS CORPORATION
CUSTOMER DRAWING	FIGURE: 5-1	SHEET: 1 OF 1