

4

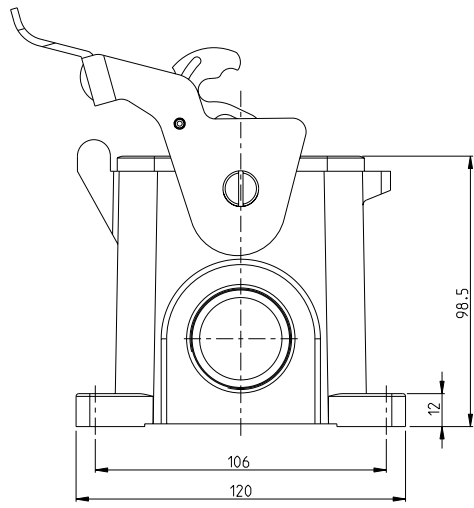
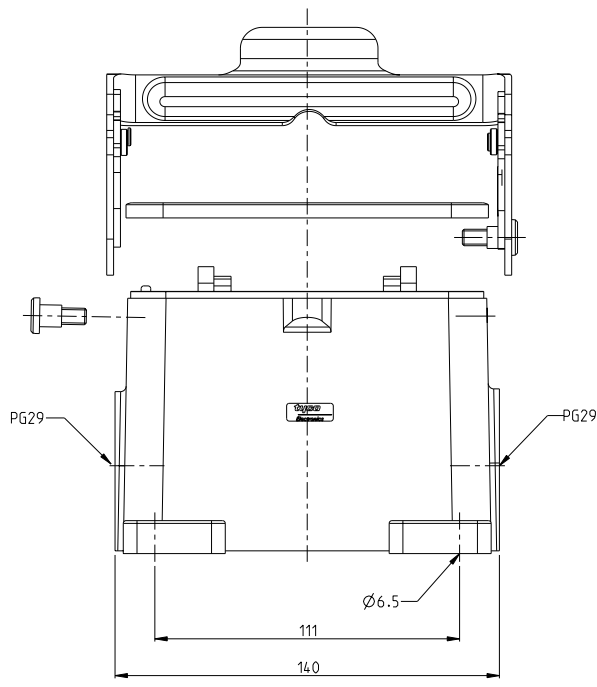
3

2

1

THIS DRAWING IS UNPUBLISHED. RELEASED FOR PUBLICATION BY TYCO ELECTRONICS CORPORATION. ALL RIGHTS RESERVED. 2006
 © COPYRIGHT 2006 BY TYCO ELECTRONICS CORPORATION. ALL RIGHTS RESERVED.

REV. NO.	DATE	BY	APPV
A3	07JAN2009	SR	AR



- NOTES
- PART SHALL BE FREE AND CLEAN OF BURRS AND OTHER FOREIGN MATERIAL
 - PACKAGING: QUANTITY 3 PIECES
 - VARNISHING INSIDE HOUSING NOT REQUIRED

QTY	DESCRIPTION	MATERIAL	SURFACE	COLOR	ITEM	NOTES
2	SCREW SLOTTED PAN HEAD	STAINLESS STEEL	BLANC		5	M6X8
1	SIDE CLIP	STEEL	ZINC PLATED	BLUE	4	
1	PROFIL SEAL	NEOPRENE		BLACK	3	
1	SURFACE MOUNTED HOUSING SIDE ENTRY	ALU		GREY	1	

DIMENSIONS: mm OPERATING SPECIFICATIONS:		DWG. NO. 07JAN2009 CDR. R. SCHNEIDER APPR. J. SCHNURPFEL	Tyco Electronics tyco Electronics AMP GmbH 53757 Sankt Augustin (Germany)
MATERIAL: - FINISH: -		PRODUCT SPEC: - APPLICATION SPEC: - WEIGHT: - CUSTOMER DRAWING	NAME: SURFACE MOUNTED HOUSING SIDE ENTRY HB.48.SG-LB.2.29.Z SIZE: A2 CAGE CODE: 00779 DRAWING NO: 1102393 RESTRICTED TO: -
		SCALE: 1:1	SHEET 1 OF 1 REV A3