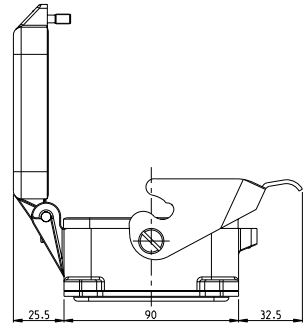
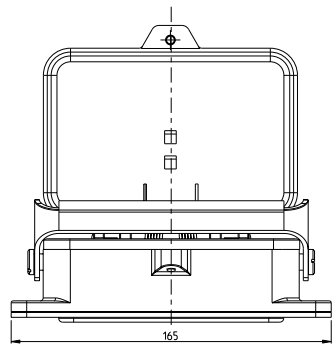
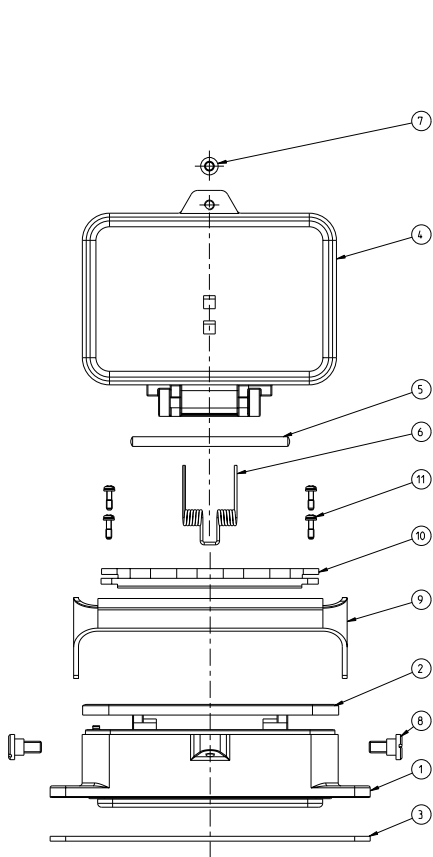


REVISED		REVISIONS	
NO.	DATE	DESCRIPTION	BY
1	07/20/08	NEW DRAWN	ST

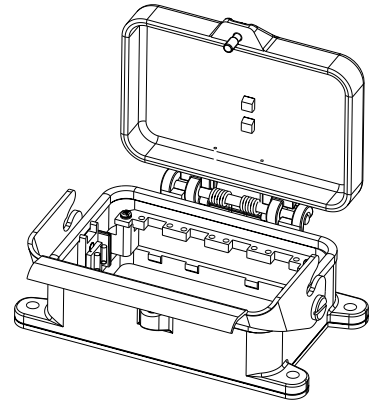
Notes
 1 PACKAGING:
 3 PIECES IN A KARTON



NO.	DESCRIPTION	MATERIAL	TREATMENT	COLOR	ITEM
4	FIXING SCREW	STEEL	ZINK PLATED	BLUE	11
2	FIXING STRIP	STEEL	ZINK PLATED	BLUE	10
1	SIDE CLIP	STEEL	ZINK PLATED	BLUE	9
2	CROSS RECESS PAN HEAD SCREW	STEEL	ZINK PLATED	BLUE	8
1	CYLINDER SCREW	STEEL	ZINK PLATED	BLUE	7
1	LEG SPRING	STEEL	ZINK PLATED	BLUE	6
1	RIVET PIN	STEEL	ZINK PLATED	BLUE	5
1	COVER	ALUMINIUM	-	GREY	4
1	FLANGE SEAL	NEOPRENE	-	BLACK	3
1	PROFILE SEAL	NEOPRENE	-	BLACK	2
1	SURFACE MOUNTED HOUSING	ALUMINIUM	-	GREY	1
1-2	DESCRIPTION	MATERIAL	SURFACE	COLOR	ITEM

HA.64.AGD-LB

PN 1-2
 AS SHOWN



P. H. ELECTRONICS COMPANY 5889 Neuenkirchen (Germany)		SURFACE MOUNTED HOUSING SERIES HA 64	
DATE: 07/20/08 DRAWN BY: P. H. ELECTRONICS COMPANY	CHECKED BY: P. H. ELECTRONICS COMPANY APPROVED BY: P. H. ELECTRONICS COMPANY	PART NO.: HA.64.AGD-LB CUSTOMER DRAWING	SCALE: 1:1 SHEET: 1 OF 1