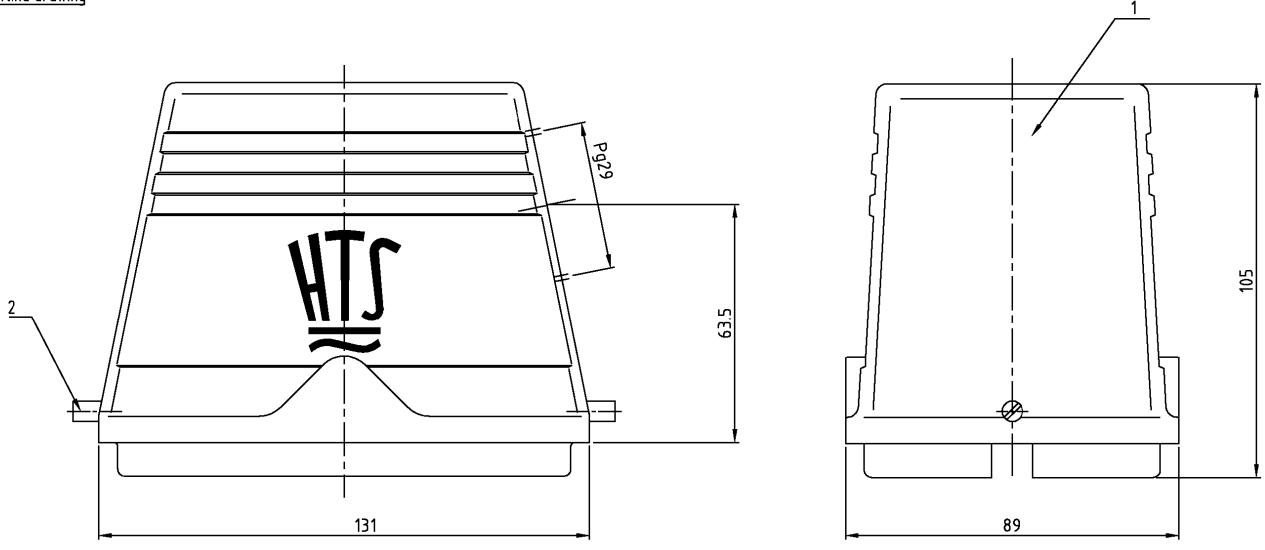


THIS DRAWING IS UNPUBLISHED.
VERTRAULICHE UNVERÖFFENTLICHTE ZEICHNUNG
© COPYRIGHT 1997

RELEASED FOR PUBLICATION
FREI FÜR VERÖFFENTLICHUNG
BY AMP INCORPORATED. ALL RIGHTS RESERVED.
ALLE RECHTE VORBEHALTEN

MATED WITH: PASSEND ZU: HA.64	LOC A1	DIST -	REVISIONS ÄNDERUNGEN			
PROJEKT NR. -	P	LTR	DESCRIPTION BESCHREIBUNG	DATE	DWR	APVD
	B2		Kodiermat geändert: E90-0143-99	20.01.00	SR	SM

Maßbild
Outline drawing



- Notes,
 ▲ Material: Housing: aluminium diecasting alloy
 ▲ Surface: Varnisch - grey
- Bemerkungen,
 ▲ Material: Gehäuse: Alu-Druckguß-Legierung
 ▲ Oberfläche: Lackierung - grau

2	Bügelbolzen	Stahl	verzinkt	blau	2	
1	Steckergehäuse HA.64.STS	aluminium/ALU	-	grey/grau	1	
1-7	DESCRIPTION / BENENNUNG	MATERIAL	SURFACE / OBERFLÄCHE	COLOR / FARBE	ITEM NO. POS.	NOTES / BEMERKUNGEN
HA.64.STS-GR.1.29 G ORDERING TEXT / BESTELLETEXT	<small>THIS DRAWING IS A CONTROLLED DOCUMENT FOR AMP CORPORATION. IT IS SUBJECT TO CHANGE AND THE CONTROLLING ENGINEERING ORGANIZATION SHOULD BE CONTACTED FOR THE LATEST REVISIONS. OTHER TECHNICAL SPECIFICATIONS AND DRAWINGS ARE VALID UNLESS OTHERWISE SPECIFIED. AMP ASSUMES NO LIABILITY FOR TECHNICAL SPECIFICATION ERRORS, AND VENDOR SHALL BE RESPONSIBLE FOR TECHNICAL SPECIFICATION COMPLIANCE. AMP ASSUMES NO LIABILITY FOR TECHNICAL SPECIFICATION ERRORS, AND VENDOR SHALL BE RESPONSIBLE FOR TECHNICAL SPECIFICATION COMPLIANCE.</small> DIMENSIONS: DIMENSIONEN: mm TOLERANCES UNLESS OTHERWISE SPECIFIED: ALLGEMEINTOLERANZEN n. ISO 8015 n. ISO 2768 - mH - E n. DIN 16901 - 14.0 ANGLES / WINKEL FINISH / OBERFLÄCHE / FARBE		DWN Schneider 38.11.99 CKP Kramer 238.11.99 NAME Hood HA.64 Steckergehäuse HA.64.STS PRODUCT SPEC PRODUKTSPEZ. APPLICATION SPEC VERANBERTUNGSPEZ. WEIGHT GEWICHT 530g		AMP HTS Elektrotechnik 53819 Neunkirchen, Germany DRAWING NO ZEICHNUNGS-NR. A3 00779 C=1102002 RESTRICTED TO NUR FUER	
	MATERIAL		FINISH / OBERFLÄCHE / FARBE		SIZE A3	CAGE CODE 00779
CUSTOMER DRAWING		/KUNDENZEICHNUNG		SCALE 1:1	SHEET 1	REV B2