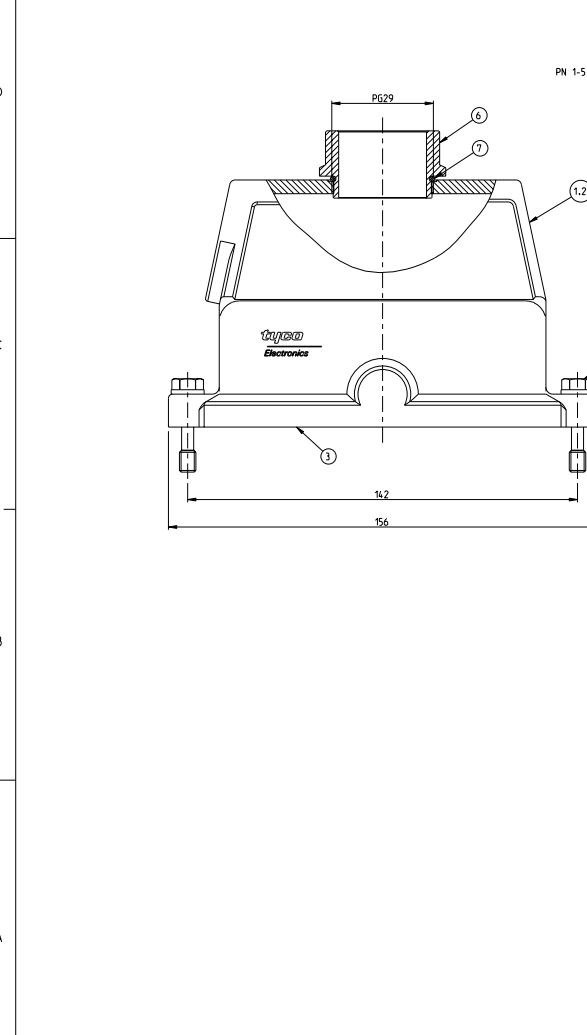


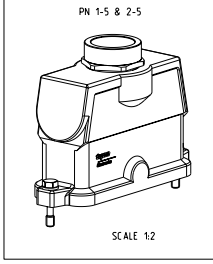
THIS DRAWING IS UNPUBLISHED. RELEASED FOR PUBLICATION BY TYCO ELECTRONICS CORPORATION. ALL RIGHTS RESERVED.



PN 1-5 & 2-5

REV	DATE	BY	CHKD
A2	17.12.07	SP	TS
A3	19.08.10	KK	HMR

- NOTES
- 1 Material: Housing: Aluminium Diecasting Alloy
Seals: Neoprene
 - 2 Surface- varnish-grey
Aluminium oxide-
Varnish black
 - 3 Varnish on the inside not necessary
 - 4 Packaging quantity: 5 pieces in a box
- 5 OBSOLETE PARTS: OBSOLETE C IS STREAMLINING PER D.RENAUD/D.SINISI



NO	DESCRIPTION	MATERIAL	SURFACE	COLOR	ITEM NO	REMARKS
1	1 O-Ring PG29	Neoprene	-	Black	7	
1	1 Adaptor PG29	Brass	Nickel plated		6	
2	2 Spring washer	Stainless steel	Blank		5	
2	2 Fixing screw	Stainless steel	Blank		4	
1	1 O-Ring Bg8	Neoprene	-	Black	3	
1	1 Hood HIP Bg8	Aluminium	Aluminium oxide	Black	2	
1	1 Hood HIP Bg8	Aluminium	-	Grey	1	
2-5	1-5 DESCRIPTION	MATERIAL	SURFACE	COLOR	ITEM NO	REMARKS

ORDERING TEXT
HIP.24/64.ST0.1.29.Z
HIP-K.24/64.ST0.1.29.Z

DATE	12.06.01	DESIGNER	Schneider	BY	Schneider	DATE	12.06.01
APP'D		NAME		DATE		DATE	
DIMENSIONS:	mm	TO GRANGE'S SPECIFICATION		PRODUCT SPEC	108-74030	SIZE	A2
		CONFORMS TO		APPLICATION SPEC	114-74017	CAGE CODE	00779
		ANGLES		WEIGHT	540 g	DRAWING NO	1102663
MATERIAL		FINISH		CUSTOMER DRAWING		RESTRICTED TO	
						SCALE	1:1
						SHEET	1 of 1
						REV	A3

TYCO ELECTRONICS CORPORATION
D-53819 NEUNKIRCHEN, GERMANY

Hood HIP Size8
HIP.24/64.ST0.1.29.Z