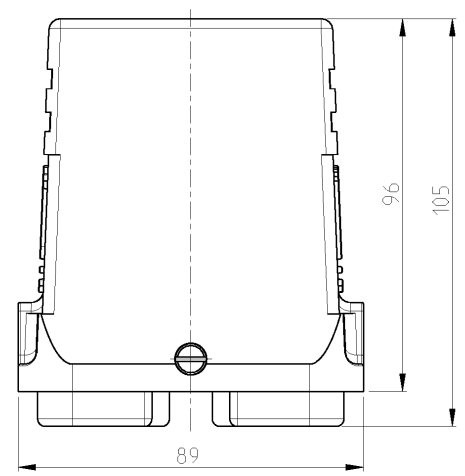
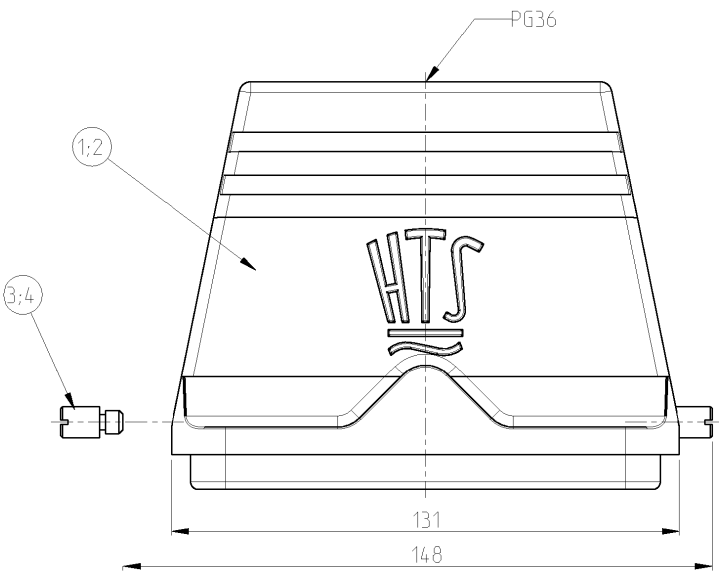


THIS DRAWING IS UNPUBLISHED. RELEASED FOR PUBLICATION 2006
 © COPYRIGHT 2006 BY TYCO ELECTRONICS CORPORATION. ALL RIGHTS RESERVED.

| LOC | DIST | REVISIONS | | | | |
|-----|------|---------------------------------|-----------|-----|------|--|
| P | LTR | DESCRIPTION | DATE | DWN | APVD | |
| A3 | - | NEW PRO/E DRAWING ECR-07-019748 | 20AUG2007 | SR | ST | |



| 2-7 | 1-7 | DESCRIPTION | MATERIAL | SURFACE | COLOR | ITEM |
|-----|-----|-------------|-----------------|----------------|-------|------|
| | 2 | CLIP BOLT | STAINLESS STEEL | BLANC | | 4 |
| | 2 | CLIP BOLT | STEEL | ZINC PLATED | BLUE | 3 |
| | 1 | HOOD HB | ALUMINIUM/ALU | ALUMINIUM OXID | BLACK | 2 |
| | 1 | HOOD HB | ALUMINIUM/ALU | | GREY | 1 |

NOTES

- 1 PART SHALL BE FREE AND CLEAN OF BURRS AND OTHER FOREIGN MATERIAL
- 2 PACKAGING: QUANTITY 3 PIECES
- 3 VARNISHING INSIDE HOUSING NOT REQUIRED

| | | | | |
|--|--|---|--|--|
| <small>THIS DRAWING IS A CONTROLLED DOCUMENT. FOR ANY ALTERATIONS CORRECTION IT IS SUBJECT TO CHANGE AND THE CONTROLLING ENGINEERING ORGANIZATION SHOULD BE CONTACTED FOR THE LATEST REVISION.</small> | | DWN 17AUG2007 R. SCHNEIDER CHR. SCHNURPFIL 17AUG2007 | | tyco Electronics AMP GmbH 53819 Neunkirchen (Germany) |
| DIMENSIONS: mm | | NAME HOOD ASSY HB.48.STO-GR.1.29.G | | RESTRICTED TO - |
| TOLERANCES UNLESS OTHERWISE SPECIFIED: 0 PLC ±0.1 1 PLC ±0.1 2 PLC ±0.1 3 PLC ±0.1 4 PLC ±0.1 ANGLES ±1° | | PRODUCT SPEC - APPLICATION SPEC - WEIGHT - | | |
| MATERIAL - FINISH - | | SIZE A3 CAGE CODE 00779 DRAWING NO G-1102385 | | SCALE 1:1 SHEET 1 OF 1 REV A3 |