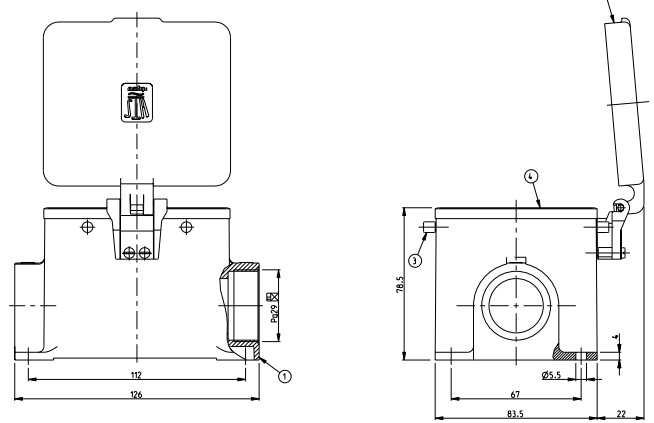


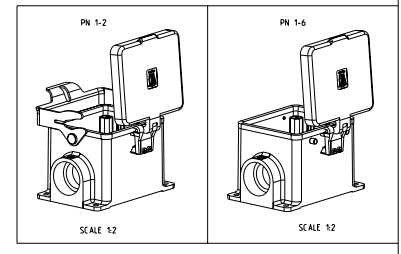
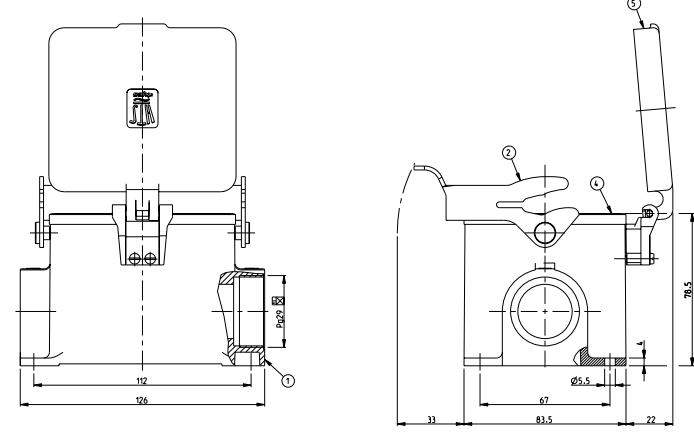
REV	DATE	REVISIONS	BY	CHK	APP
A1	-	1. LW			
B2	-	Released as per ECR-08-01663L	02.04.99	SP	TS

PN 1-6



- NOTES.
- 1 Material:Housing:Aluminium Diecasting Alloy
Seal:Neoprene
 - 2 Surface:Varnish grey
-Aluminium Oxide -Varnish Black
 - 3 Varnish on the inside not necessary
 - 4 Packaging:
Quantity:5 Pieces in a box

PN 1-2



QTY	DESCRIPTION	MATERIAL	SURFACE	COLOR	TEMP	REMARKS
1	1 Cover: HB32	Aluminium		Grey	5	
1	1 1 Profile seal	Neoprene		Black	4	
1	1 VS-Clip bolt	Steel	Zinc plated	Blue	3	
1	1 B-Side clip	Steel	Zinc plated	Blue	2	
1	1 Surface mounted housing side entry HB.32.1.29.Z	Aluminium	Zinc plated	Grey	1	

ORDERING TEXT

HB.32.550-18-1.29.Z

DATE: 08.08.1999

SCALE: 1:2

DESCRIPTION: Surface mounted housing side entry HB.32.1.29.Z

STATE: A

00779 ©=1102362

CUSTOMER DRAWING

DATE: 08.08.1999

BY: T. L. W.

FOR: TSC ELECTRONICS CORPORATION

SCALE: 1:2

STATE: A

00779 ©=1102362

CUSTOMER DRAWING

DATE: 08.08.1999

BY: T. L. W.

FOR: TSC ELECTRONICS CORPORATION

SCALE: 1:2

STATE: A

00779 ©=1102362

CUSTOMER DRAWING